



NEW!

ENGINE

Model	: ISUZU AH-6UZ1X
Type	: Water-cooled, 4 cycle, 6 cylinders, line type, direct injection, turbocharger, intercooler, diesel engine
Power	: 362 HP (270 kW) @1950 rpm / SAE J 1995 (Gross) : 348 HP (260 kW) @1950 rpm / SAE J 1349 (Net)
Max. Torque	: 1435 Nm @1500 rpm (Gross) : 1400 Nm @1500 rpm (Net)
Displacement	: 9839 cc
Bore and Stroke	: ø 120 mm x 145 mm
Emission Class	: Stage IIIA / Tier 3 (EU/EPA)

UNDERCARRIAGE

X Type Lower Frame Construction Pentagon Box Type Chassis	
Shoe	: 3 grouser
No. Of Shoes	: 2 x 50
No. Of Lower Rollers	: 2 x 9
No. Of Upper Rollers	: 2 x 2
Full Trackguard	: Complete
Track Tensioning	: Hydraulic Spring Tensioning

CAB

<ul style="list-style-type: none"> Improved operator's all round visibility Increased cabin internal space Use of six viscomount cabin mountings that dampen the vibrations High capacity A/C High resolution, led backlight, color LCD display Opera Control System Cooled storage room Glass holder, book and object storage pockets Pool type floor mat Improved operator's comfort through versatile adjustable seat Ergonomically redesigned cabin through relocated switch board, and re-styled travel pedals and joysticks.

TRAVEL AND BRAKERS

Travel	: Fully hydrostatic
Travel Motors	: Axial piston type
Reduction	: 3 stage planetary gear
Travel Speed	
High Speed	: 4,60 km/h
Low Speed	: 2,80 km/h
Max. Drawbar Pull	: 35,485 kqf
Gradeability	: 35° (%70)
Parking Brake	: Hydraulic multi disc type, integrated transmission
Ground pressure	: 0,95 kqf/cm ²

LUBRICATION

Centralized lubrication system is provided for lubrication all difficult-to-reach parts on the components, such as boom and arm

HYDRAULIC SYSTEM

Main Pump	
Type	: Double variable displacement axial piston pumps
Max. Flow	: 2 x 376 L/min
Pilot Pump	: Gear Type, 29 L/min
Relief Valves	
Attachment	: 330 kqf/cm ²
Power Boost	: 355 kqf/cm ²
Travel	: 330 kqf/cm ²
Swing	: 300 kqf/cm ²
Pilot	: 40 kqf/cm ²
Cylinders	
Main Boom	: 2 x ø 170 x ø 115 x 1.650 mm
Stick Cylinder	: 1 x ø 190 x ø 130 x 1.870 mm
Ripper	: 1x ø 200 x ø 140 x 940 mm

OPERA CONTROL SYSTEM

<ul style="list-style-type: none"> Automatic idling Selection of multi-language on control panel Improved fuel economy and productivity Automatical electric power-off Maximum efficiency by selection of power and work modes Error mode registry and warning system Hidromek Smartlink Automatic preheating Automatical powerboost (Optional) 	<ul style="list-style-type: none"> Overheat prevention and protection system without interrupting the work Easy-to-use control panel and menus Rear-view, arm-view camera (Optional) Possibility to register 27 different operating hours Anti-theft system with personal code Real time monitoring of operational parameters such as pressure, temperature, engine load
---	--

SWING SYSTEM

Swing Motor	: Axial piston type integrated with shock absorber valves
Reduction	: 2 stage planetary gear box.
Swing Brakes	: Hydraulic multi disc type, automatic warnings
Swing Speed	: 8,1 rpm

CAPACITY

Fuel Tank	: 655 L	Engine Oil	: 41 L
Hydraulic Tank	: 370 L	Radiator	: 65 L
Hydraulic System	: 615 L		

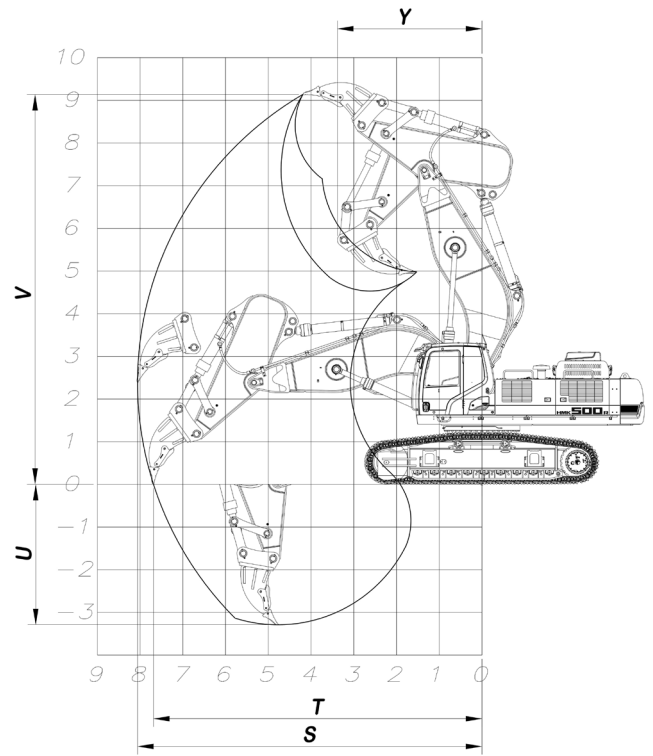
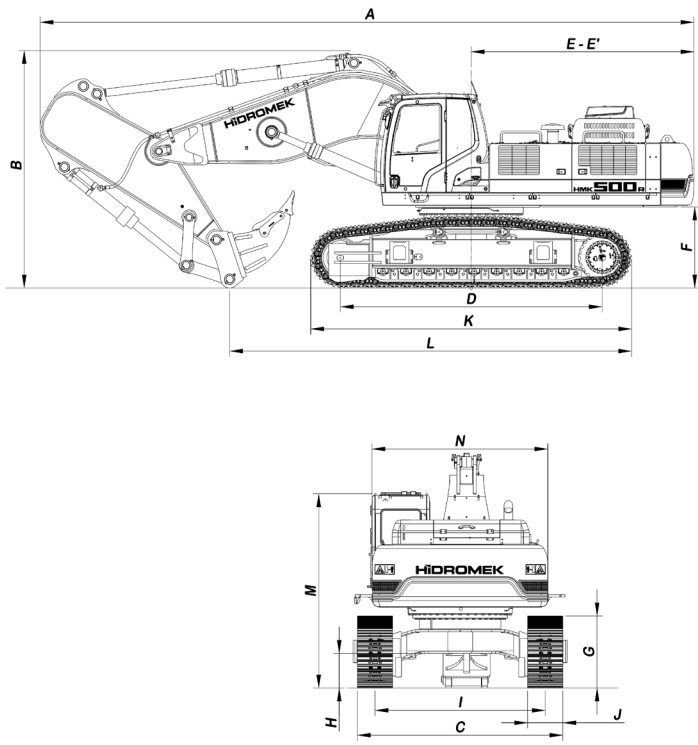
ELECTRICAL SYSTEM

Voltage	: 24 V
Battery	: 2 x 12 V x 165 Ah
Alternator	: 24 V / 50 A
Starting Motor	: 24 V / 5,5 kw

OPERATING WEIGHT

Standard machine operating weight	: 54.700 kg
-----------------------------------	-------------

Operational weight, complying with the ISO 6016 standards, includes full fuel tank, hydraulic system and other liquids, 75kg operator weight and standard equipped machine weight. Optional equipments are not included.



GENERAL DIMENSIONS

Boom Dimension	5.100 mm
Arm Dimension	1.800 mm
A - Overall Length	11.130 mm
B - Overall Height (to top of boom)	4.130 mm
C - Overall Width	3.500 mm
D - Idler Distance	4.400 mm
E - Counterweight Distance	3.877 mm
E' - Turning Radius	3.920 mm
F - Upper Structure Ground Clearance	1.386 mm
G - Crawler Height	1.228 mm
H - Minimum Ground Clearance	600 mm
I - Track Gauge	2.900 mm
J - Shoe Width	600 mm
K - Overall Length of Crawler	5.458 mm
L - Length Over Ground	7.340 mm
M - Overall Height (to Top of Cab)	3.324 mm
N - Upper Structure Width	3.000 mm

WORKING DIMENSIONS

S - Maximum Digging Reach	7.940 mm
T - Maximum Digging Reach at Ground Level	7.560 mm
U - Maximum Digging Depth	3.280 mm
V - Maximum Digging Height	8.930 mm
Y - Minimum Swing Radius	3.640 mm

DIGGING PERFORMANCE

Ripper Digging Force (Power Boost) ISO	48.300 (52.700) kgf
Arm Crowd Force (Power Boost) ISO	48.700 (53.200) kgf