



## ENGINE

Model	: ISUZU-4HK1X
Type	: Water-cooled, 4 cycle, 4 cylinders, line type direct injection, turbocharger, intercooler, electronic diesel engine
Power	: 172 HP (128 kW) @2000 rpm / SAE J1995 (Gross) : 162 HP (121 kW) @2000 rpm / SAE J1349 (Net)
Max. Torque	: 670 Nm @1600 rpm (Gross) : 649 Nm @1600 rpm (Net)
Displacement	: 5193 cc
Bore and Stroke	: 115 mm x 125 mm
Emission Class	: Stage V-EU

## UNDERCARRIAGE

X Type Lower Frame Construction Pentagon Box Type Chassis	
Shoe	: Triple grouser
No. Of Shoes	: 2 x 49
No. Of Lower Rollers	: 2 x 9
No. Of Upper Rollers	: 2 x 2
Track Tensioning	: Hydraulic Spring Tensioning

## CAB

<ul style="list-style-type: none"> <li>• Improved operator's all round visibility</li> <li>• Increased cabin internal space</li> <li>• Use of six viscomount cabin mountings that dampen the vibrations</li> <li>• High capacity A/C</li> <li>• High resolution, LED backlight, color LCD display</li> <li>• Opera Control System</li> <li>• Cooled storage room</li> <li>• Glass holder, book and object storage pockets</li> <li>• Pool type floor mat</li> <li>• Improved operator's comfort through versatile adjustable seat</li> <li>• Ergonomically redesigned cabin through relocated switch board, and re-styled travel pedals and joysticks.</li> </ul>
---

## TRAVEL AND BRAKERS

Travel	: Fully hydrostatic
Travel Motors	: Axial piston type
Reduction	: 2 stage planetary gear
Travel Speed	
High Speed	: 5,8 km/h
Low Speed	: 3,8 km/h
Max. Drawbar Pull	: 18.365 kqf
Gradeability	: 35° (%70)
Parking Brake	: Hydraulic multi disc type
Ground Pressure (600mm Shoe)	: 0,50 kgf/cm <sup>2</sup>

## LUBRICATION

Centralized lubrication system is provided for lubrication all difficult-to-reach parts on the components, such as boom and arm

## HYDRAULIC SYSTEM

<b>Main Pump</b>	
Type	: Double variable displacement axial piston pumps
Max. Flow	: 2 x 233 L/min
Pilot Pump	: Gear, 20 L/min
<b>Relief Valves</b>	
Attachment	: 350 kgf/cm <sup>2</sup>
Power Boost	: 370 kgf/cm <sup>2</sup>
Travel	: 350 kgf/cm <sup>2</sup>
Swing	: 306 kgf/cm <sup>2</sup>
Pilot	: 40 kgf/cm <sup>2</sup>
<b>Cylinders</b>	
Main Boom	: 2 x ø 125 x ø 85 x 878 mm
Stick Cylinder	: 2 x ø 125 x ø 85 x 990 mm
Bucket Cylinder	: 2 x ø 100 x ø 70 x 774 mm

## OPERA CONTROL SYSTEM

<ul style="list-style-type: none"> <li>• Easy-to-use control panel and menus</li> <li>• Overheat prevention and protection system without interrupting the work</li> <li>• Automatical electric power-off</li> <li>• Maximum efficiency by selection of power and work modes</li> <li>• Error mode registry and warning system</li> </ul>	<ul style="list-style-type: none"> <li>• Improved fuel economy and productivity</li> <li>• Automatic idling Selection of multi-language on control panel</li> <li>• Rear-view, arm-view camera (Optional)</li> <li>• Possibility to register 27 different operating hours</li> <li>• Anti-theft system with personal code</li> <li>• Real time monitoring of operational parameters such as pressure, temperature, engine load</li> </ul>
<ul style="list-style-type: none"> <li>• HIDROMEK Smartlink (Optional)</li> <li>• Automatic preheating</li> <li>• Automatical powerboost</li> </ul>	

## SWING SYSTEM

Swing Motor	: Axial piston type integrated with shock absorber valves
Reduction	: 2 stage planetary gear box.
Swing Brakes	: Hydraulic multi disc type, automatic warnings
Swing Speed	: 11,9 rpm

## CAPACITY

Fuel Tank	: 405 L	Engine Oil	: 21 L
Hydraulic Tank	: 152 L	Radiator	: 33 L
Hydraulic System	: 285 L		

## ELECTRICAL SYSTEM

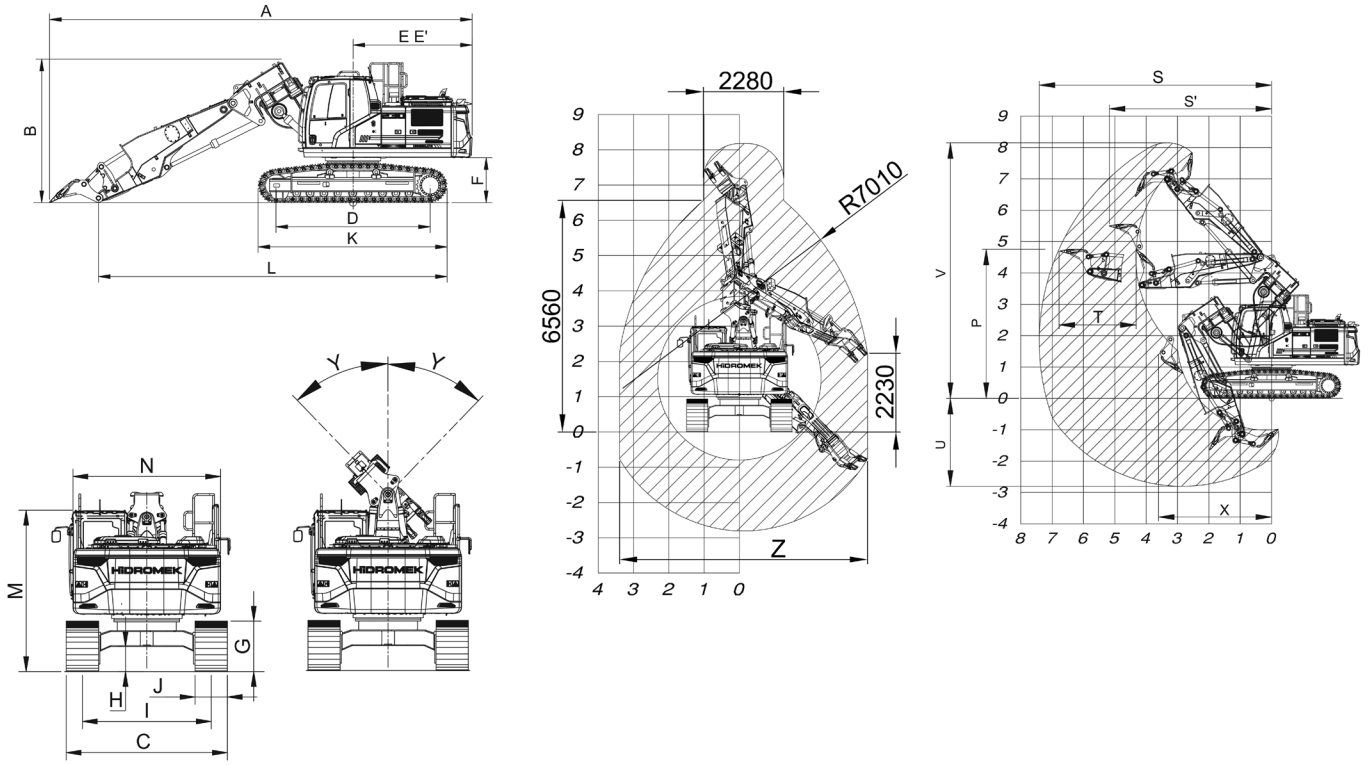
Voltage	: 24V
Battery	: 2 x 12 V x 100 Ah
Alternator	: 24V / 50 A
Starting Motor	: 24V / 5 kW

## OPERATING WEIGHT

Standard machine operating weight	: 23.350 kq
-----------------------------------	-------------

Operational weight, complying with the ISO 6016 standards, includes full fuel tank, hydraulic system and other liquids, 75kg operator weight and standard equipped machine weight. Optional equipments are not included.

# HMK230LCTX H4



## GENERAL DIMENSIONS

Boom Dimension	2.700 mm
Arm Dimension	3.890 mm
A - Overall length	9.980 mm
B - Overall height (to top of boom)	3.390 mm
C - Overall width	2.990 mm
D - Idler distance	3.640 mm
E - Tail swing radius	2.800 mm
E' - Upperstructure ground clearance	2.810 mm
F - Crawler height	1.060 mm
G - Min. ground clearance	935 mm
H - Track gauge	465 mm
I - Shoe width	2.390 mm
J - Overall length of crawler	600 mm
K - Length over ground	4.460 mm
M - Overall height (to top of cab)	2.995 mm
N - Upperstructure width	2.740 mm

## WORKING DIMENSIONS

Boom Dimension	2.700 mm
Arm Dimension	3.890 mm
S - Max. Reach Distance	7.410 mm
S' - Vertical reach at 5.5 m	5.180 mm
V - Maximum Digging Height	8.150 mm
U - Max. digging height	2.800 mm
Y - Boom swing angle	44°
Z - Maximum working width	7.040 mm
X - Attachment swing Radius	3.610 mm

## DIGGING FORCES

	SAE	ISO
Ripper Digging	16800 kgf	21500 kgf
At Power Max.	17700 kgf	22700 kgf
Arm Crowd	20700 kgf	22200 kgf
At Power Max.	21900 kgf	23400 kgf



## HİDROMEK®

### FACTORY - HEAD OFFICE

Ahi Evran OSB Mahallesi Osmanlı Caddesi No:1 06935 Sincan / ANKARA / TURKEY  
Tel: (+90) 312 267 12 60 Fax: (+90) 312 267 12 39  
www.hidromek.com

Notice:  
Hidromek has the right to modify the specifications and design of the model indicated on this brochure without prior notice.