



**NEW!**

### ENGINE

Model	: ISUZU-6UZ1X
Type	: Water-cooled, 4 cycle, 6 cylinders, line type, direct injection, turbocharger, intercooler, diesel engine
Power	: 362 HP (270 kW) @2000 rpm / SAE J1995 (Gross)
Max. Torque	: 1650 Nm @1300 rpm (Gross)
Displacement	: 9839 cc
Bore and Stroke	: ø 120 mm x 145 mm
Emission Class	: EU: Stage V

### UNDERCARRIAGE

X Type Lower Frame Construction Pentagon Box Type Chassis	
Shoe	: 3 grouser
No. Of Shoes	: 2 x 50
No. Of Lower Rollers	: 2 x 9
No. Of Upper Rollers	: 2 x 2
Full Trackguard	: Complete
Track Tensioning	: Hydraulic Spring Tensioning

### CAB

- Wide cab and easy entrance
- Use of six viscomount cabin mountings that dampen the vibrations
- Cooled storage room
- Colourful, Easy to read TFT indicant monitor
- Glass holder, book and object storage pockets
- Full automatic digitally air-conditioner
- Overclass standarts on the visibility
- Pool type flor mat
- Improved operator's comfort through versatile adjustable seat
- Ergonomically redesigned cabin through relocated switch board, and re-styled travel pedals and joysticks.
- USB connected MP3 player
- Easy to open the front sliding glass
- Front and rear sun visor
- Large storage areas
- Improved seat to back angle
- The height adjustable seat armrests
- Opera Control System

### TRAVEL AND BRAKERS

Travel	: Fully hydrostatic
Travel Motors	: Axial piston type
Reduction	: 3 stage planetary gear
<b>Travel Speed</b>	
High Speed	: 4,70 km/h
Low Speed	: 2,85 km/h
Max. Drawbar Pull	: 35,250 kgf
Gradeability	: 35° (%70)
Parking Brake	: Hydraulic multi disc type, integrated transmission
Ground Pressure (600mm Shoe)	: 0,90 kgf/cm <sup>2</sup>

### HYDRAULIC SYSTEM

<b>Main Pump</b>	
Type	: Double variable displacement axial piston pumps
Max. Flow	: 2 x 366 L/min
Pilot Pump	: 28,5 L/min
<b>Relief Valves</b>	
Attachment	: 330 kgf/cm <sup>2</sup>
Power Boost	: 355 kgf/cm <sup>2</sup>
Travel	: 330 kgf/cm <sup>2</sup>
Swing	: 330 kgf/cm <sup>2</sup>
Pilot	: 40 kgf/cm <sup>2</sup>
<b>Cylinders</b>	
Main Boom	: 2 x ø 170 x ø 115 x 1.650 mm
Stick Cylinder	: 1 x ø 190 x ø 130 x 1.870 mm
Bucket Cylinder	: 1 x ø 170 x ø 120 x 1.335 mm

### OPERA CONTROL SYSTEM

- |   |   |
|---|---|
| • Automatic idling Selection of multi-language on control panel | • Overheat prevention and protection system without interrupting the work                 |
| • Improved fuel economy and productivity                        | • Easy-to-use control panel and menus   |
| • Automatical electric power-off                                | • Rear-view, arm-view camera  |
| • Maximum efficiency by selection of power and work modes       | • Possibility to register 27 different operating hours                                    |
| • Error mode registry and warning system                        | • Anti-theft system with personal code  |
| • Hidromek Smartlink (Optional)                                 | Real time monitoring of operational parameters such as pressure, temperature, engine load |
| • Automatic preheating  |   |
| • Automatical powerboost  |   |

### SWING SYSTEM

Swing Motor	: Axial piston type integrated with shock absorber valves
Reduction	: 2 stage planetary gear box.
Swing Brakes	: Hydraulic multi disc type, automatic warnings
Swing Speed	: 8,3 rpm

### CAPACITY

Fuel Tank	: 655 L	Engine Oil	: 36,5 L
Hydraulic Tank	: 370 L	Engine Cooling System	: 65 L
Hydraulic System	: 615 L	Urea Tank	: 70 L

### ELECTRICAL SYSTEM

Voltage	: 24 V
Battery	: 2 x 12 V x 165 Ah
Alternator	: 24 V / 50 A
Starting Motor	: 24 V / 5,5 kw

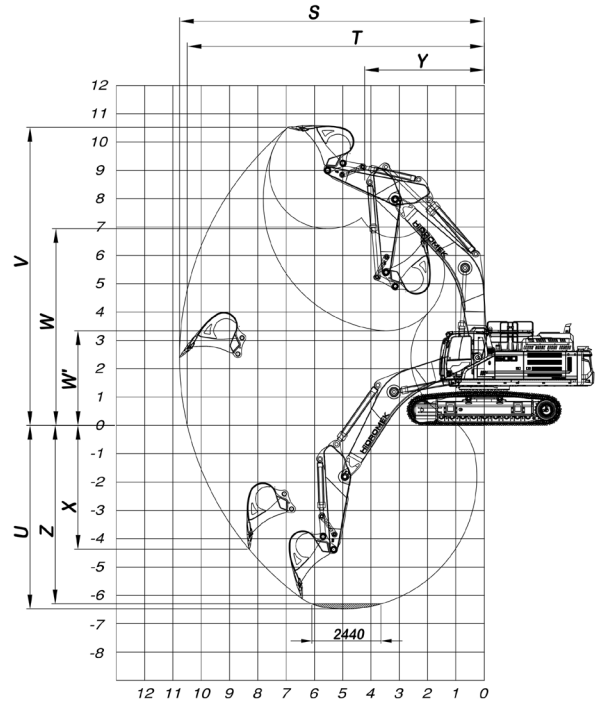
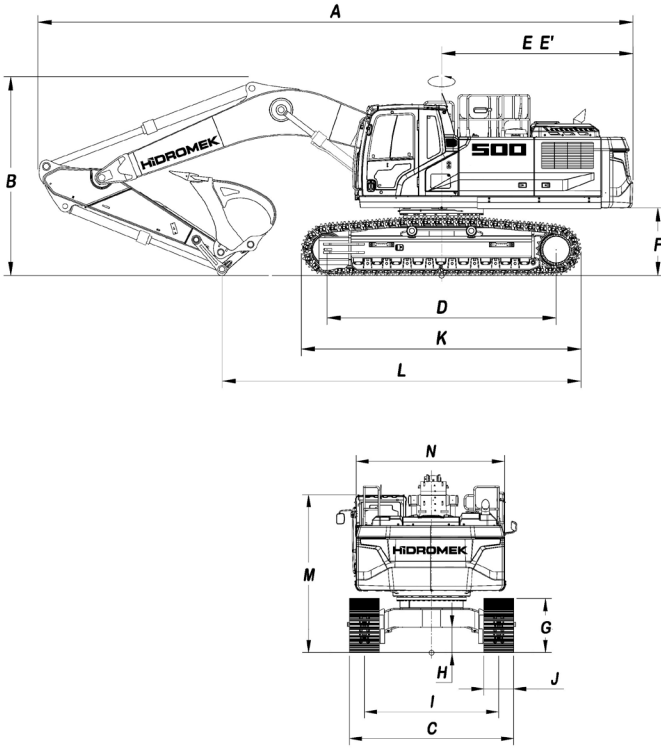
### LUBRICATION

Centralized lubrication system is provided for lubrication all difficult-to-reach parts on the components, such as boom and arm

### OPERATING WEIGHT

Standard machine operating weight	: 51.900 kg
-----------------------------------	-------------

Operational weight, complying with the ISO 6016 standards, includes full fuel tank, hydraulic system and other liquids, 75kg operator weight and standard equipped machine weight. Optional equipments are not included.



## GENERAL DIMENSIONS

Boom Dimension	*6.300 mm		6.900 mm	
Arm Dimension	*2.600 mm	2.900 mm	2.900 mm	3.300 mm
A - Overall Length	11.840 mm	11.850 mm	12.450 mm	12.440 mm
B - Overall Height (to top of boom)	3.860 mm	3.990 mm	3.950 mm	4.160 mm
C - Overall Width	3.500 mm			
D - Idler Distance	4.400 mm			
E - Counterweight Distance	3.985 mm			
E' - Turning Radius	4.005 mm			
F - Upper Structure Ground Clearance	1.385 mm			
G - Crawler Height	1.230 mm			
H - Minimum Ground Clearance	600 mm			
I - Track Gauge	2.900 mm			
J - Shoe Width	600 mm			
K - Overall Length of Crawler	5.500 mm			
L - Length Over Ground	6.910 mm	6.740 mm	7.500 mm	7.310 mm
M - Overall Height (to Top of Cab)	3.360 mm			
N - Upper Structure Width	2.990 mm			

\* Standard

## WORKING DIMENSIONS

Boom Dimension	6.300 mm		6.900 mm	
Arm Dimension	*2.600 mm	2.900 mm	2.900 mm	3.300 mm
S - Maximum Digging Reach	10.770 mm	11.040 mm	11.680 mm	12.040 mm
T - Maximum Digging Reach at Ground Level	10.490 mm	10.770 mm	11.430 mm	11.800 mm
U - Maximum Digging Depth	6.480 mm	6.780 mm	7.180 mm	7.580 mm
V - Maximum Digging Height	10.510 mm	10.630 mm	11.340 mm	11.530 mm
W - Maximum Dumping Clearance	6.940 mm	7.060 mm	7.710 mm	7.880 mm
W' - Minimum Dumping Clearance	3.330 mm	3.040 mm	3.590 mm	3.190 mm
X - Maximum Vertical Digging Depth	4.470 mm	4.740 mm	5.280 mm	5.740 mm
Y - Minimum Swing Radius	4.320 mm	4.380 mm	4.660 mm	4.750 mm
Z - Maximum Digging Depth (2440 mm level)	6.300 mm	6.610 mm	7.020 mm	7.430 mm

## DIGGING PERFORMANCE

Standard Bucket Capacity	3,2 m <sup>3</sup> (SAE)
Bucket Digging Force (Power Boost) ISO	26.500 (28.500) kgf
Arm Crowd Force (Power Boost) ISO	25.600 (27.600) kgf

