



NEW!

ENGINE

Model	: ISUZU-6UZ1X
Type	: Water-cooled, 4 cycle, 6 cylinders, line type, direct injection, turbocharger, intercooler, diesel engine
Power	: 362 HP (270 kW) @1900 rpm / SAE J1995 (Gross)
Max. Torque	: 1650 Nm @1300 rpm (Gross)
Displacement	: 9839 cc
Bore and Stroke	: \varnothing 120 mm x 145 mm
Emission Class	: EU: Stage V

UNDERCARRIAGE

X Type Lower Frame Construction Pentagon Box Type Chassis	
Shoe	: 3 grouser
No. Of Shoes	: 2 x 50
No. Of Lower Rollers	: 2 x 9
No. Of Upper Rollers	: 2 x 2
Full Trackguard	: Complete
Track Tensioning	: Hydraulic Spring Tensioning

CAB

<ul style="list-style-type: none"> • Wide cab and easy entrance • Use of six viscomount cabin mountings that dampen the vibrations • Cooled storage room • Colourful, Easy to read TFT indicant monitor • Glass holder, book and object storage pockets • Full automatic digitally air-conditioner • Overclass standarts on the visibility • Pool type flor mat • Improved operator's comfort through versatile adjustable seat • Ergonomically redesigned cabin through relocated switch board, and re-styled travel pedals and joysticks. • USB connected MP3 player • Easy to open the front sliding glass • Front and rear sun visor • Large storage areas • Improved seat to back angle • The height adjustable seat armrests • Opera Control System
--

TRAVEL AND BRAKERS

Travel	: Fully hydrostatic
Travel Motors	: Axial piston type
Reduction	: 3 stage planetary gear
Travel Speed	
High Speed	: 4,60 km/h
Low Speed	: 2,80 km/h
Max. Drawbar Pull	: 35,880 kgf
Gradeability	: 35° (%70)
Parking Brake	: Hydraulic multi disc type, integrated transmission
Ground Pressure (600mm Shoe)	: 0,91 kgf/cm ²

HYDRAULIC SYSTEM

Main Pump	
Type	: Double variable displacement axial piston pumps
Max. Flow	: 2 x 376 L/min
Pilot Pump	: 29 L/min
Relief Valves	
Attachment	: 330 kgf/cm ²
Power Boost	: 355 kgf/cm ²
Travel	: 330 kgf/cm ²
Swing	: 330 kgf/cm ²
Pilot	: 40 kgf/cm ²
Cylinders	
Main Boom	: 2 x \varnothing 170 x \varnothing 115 x 1.650 mm
Stick Cylinder	: 1 x \varnothing 190 x \varnothing 130 x 1.870 mm
Bucket Cylinder	: 1 x \varnothing 170 x \varnothing 120 x 1.335 mm

OPERA CONTROL SYSTEM

<ul style="list-style-type: none"> • Automatic idling Selection of multi-language on control panel • Improved fuel economy and productivity • Automatical electric power-off • Maximum efficiency by selection of power and work modes • Error mode registry and warning system • Hidromek Smartlink (Optional) • Automatic preheating • Automatical powerboost 	<ul style="list-style-type: none"> • Overheat prevention and protection system without interrupting the work • Easy-to-use control panel and menus • Rear-view, arm-view camera • Possibility to register 27 different operating hours • Anti-theft system with personal code • Real time monitoring of operational parameters such as pressure, temperature, engine load
---	---

SWING SYSTEM

Swing Motor	: Axial piston type integrated with shock absorber valves
Reduction	: 2 stage planetary gear box.
Swing Brakes	: Hydraulic multi disc type, automatic warnings
Swing Speed	: 7,7 rpm

CAPACITY

Fuel Tank	: 655 L	Engine Oil	: 36,5 L
Hydraulic Tank	: 370 L	Engine Cooling System	: 65 L
Hydraulic System	: 615 L	Urea Tank	: 33 L

ELECTRICAL SYSTEM

Voltage	: 24 V
Battery	: 2 x 12 V x 165 Ah
Alternator	: 24 V / 50 A
Starting Motor	: 24 V / 5,5 kw

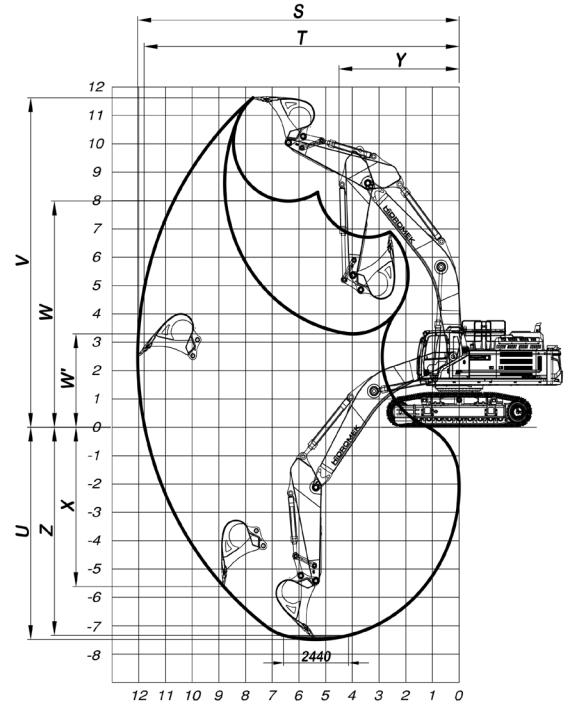
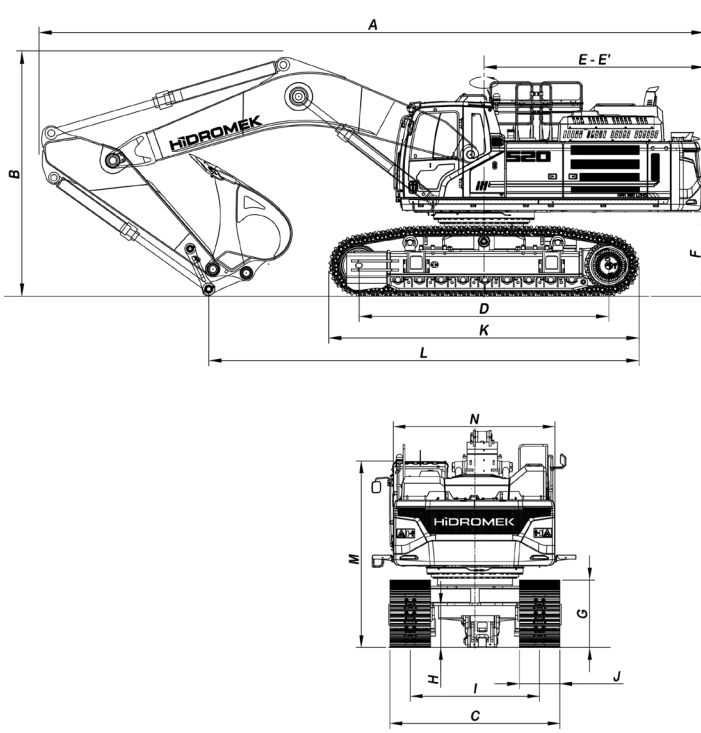
LUBRICATION

Centralized lubrication system is provided for lubrication all difficult-to-reach parts on the components, such as boom and arm

OPERATING WEIGHT

Standard machine operating weight	: 53.700 kg
-----------------------------------	-------------

Operational weight, complying with the ISO 6016 standards, includes full fuel tank, hydraulic system and other liquids, 75kg operator weight and standard equipped machine weight. Optional equipments are not included.



GENERAL DIMENSIONS

Boom Dimension	*6.300 mm		6.900 mm	
Arm Dimension	*2.600 mm	2.900 mm	2.900 mm	3.300 mm
A - Overall Length	11.170 mm	11.730 mm	12.340 mm	12.330 mm
B - Overall Height (to top of boom)	3.870 mm	4.000 mm	3.960 mm	4.170 mm
C - Overall Width	2.990 / 3.490 mm			
D - Idler Distance	4.400 mm			
E - Counterweight Distance	3.880 mm			
E' - Turning Radius	3.920 mm			
F - Upper Structure Ground Clearance	1.485 mm			
G - Crawler Height	1.245 mm			
H - Minimum Ground Clearance	775 mm			
I - Track Gauge	2.390 / 2.890 mm			
J - Shoe Width	600 mm			
K - Overall Length of Crawler	5.470 mm			
L - Length Over Ground	6.860 mm	6.680 mm	7.450 mm	7.260 mm
M - Overall Height (to Top of Cab)	3.450 mm			
N - Upper Structure Width	2.990 mm			

* Standard

WORKING DIMENSIONS

Boom Dimension	*6.300 mm		6.900 mm	
Arm Dimension	*2.600 mm	2.900 mm	2.900 mm	3.300 mm
S - Maximum Digging Reach	10.770 mm	11.040 mm	11.680 mm	12.040 mm
T - Maximum Digging Reach at Ground Level	10.470 mm	10.740 mm	11.410 mm	11.780 mm
U - Maximum Digging Depth	6.380 mm	6.680 mm	7.080 mm	7.480 mm
V - Maximum Digging Height	10.610 mm	10.730 mm	11.440 mm	11.580 mm
W - Maximum Dumping Clearance	7.040 mm	7.160 mm	7.810 mm	7.980 mm
W' - Minimum Dumping Clearance	3.430 mm	3.130 mm	3.690 mm	3.290 mm
X - Maximum Vertical Digging Depth	4.370 mm	4.460 mm	5.190 mm	5.710 mm
Y - Minimum Swing Radius	4.320 mm	4.380 mm	4.660 mm	4.750 mm
Z - Maximum Digging Depth (2440 mm level)	6.200 mm	6.510 mm	6.920 mm	7.340 mm

DIGGING PERFORMANCE

Standard Bucket Capacity	3,20 m ³ (SAE)
Bucket Digging Force (Power Boost) ISO	26.500 (28.500) kgf
Arm Crowd Force (Power Boost) ISO	25.600 (27.600) kgf



HIDROMEK®

FACTORY - HEAD OFFICE

Ahi Evran OSB Mahallesi Osmanlı Caddesi No:1 06935 Sincan / ANKARA / TÜRKİYE
Tel: (+90) 312 267 12 60 Fax: (+90) 312 267 12 39
www.hidromek.com

Notice:
Hidromek has the right to modify the specifications and design of the model indicated on this brochure without prior notice.