



## ENGINE

Model	: ISUZU-6UZ1X
Type	: Water-cooled, 4 cycle, 6 cylinders, line type, direct injection, turbocharger, intercooler, diesel engine
Power	: 362 HP (270 kW) @1900 rpm / SAE J1995 (Gross)
Max. Torque	: 1650 Nm @1300 rpm (Gross)
Displacement	: 9839 cc
Bore and Stroke	: ø 120 mm x 145 mm
Emission Class	: EU: Stage V

## UNDERCARRIAGE

X Type Lower Frame Construction Pentagon Box Type Chassis	
Shoe	: 3 grouser
No. Of Shoes	: 2 x 50
No. Of Lower Rollers	: 2 x 9
No. Of Upper Rollers	: 2 x 2
Full Trackguard	: Complete
Track Tensioning	: Hydraulic Spring Tensioning

## CAB

- Wide cab and easy entrance
- Use of six viscomount cabin mountings that dampen the vibrations
- Cooled storage room
- Colourful, Easy to read TFT indicant monitor
- Glass holder, book and object storage pockets
- Full automatic digitally air-conditioner
- Overclass standards on the visibility
- Pool type flor mat
- Improved operator's comfort through versatile adjustable seat
- Ergonomically redesigned cabin through relocated switch board, and re-styled travel pedals and joysticks.
- USB connected MP3 player
- Easy to open the front sliding glass
- Front and rear sun visor
- Large storage areas
- Improved seat to back angle
- The height adjustable seat armrests
- Opera Control System

## TRAVEL AND BRAKERS

Travel	: Fully hydrostatic
Travel Motors	: Axial piston type
Reduction	: 3 stage planetary gear
<b>Travel Speed</b>	
High Speed	: 4,60 km/h
Low Speed	: 2,80 km/h
Max. Drawbar Pull	: 35,880 kgf
Gradeability	: 35° (%70)
Parking Brake	: Hydraulic multi disc type, integrated transmission
Ground Pressure (600mm Shoe)	: 0,91 kgf/cm <sup>2</sup>

## HYDRAULIC SYSTEM

<b>Main Pump</b>	
Type	: Double variable displacement axial piston pumps
Max. Flow	: 2 x 376 L/min
Pilot Pump	: 29 L/min
<b>Relief Valves</b>	
Attachment	: 330 kgf/cm <sup>2</sup>
Power Boost	: 355 kgf/cm <sup>2</sup>
Travel	: 330 kgf/cm <sup>2</sup>
Swing	: 330 kgf/cm <sup>2</sup>
Pilot	: 40 kgf/cm <sup>2</sup>
<b>Cylinders</b>	
Main Boom	: 2 x ø 170 x ø 115 x 1.650 mm
Stick Cylinder	: 1 x ø 190 x ø 130 x 1.870 mm
Bucket Cylinder	: 1 x ø 170 x ø 120 x 1.335 mm

## OPERA CONTROL SYSTEM

- |   |   |
|---|---|
| • Automatic idling Selection of multi-language on control panel | • Overheat prevention and protection system without interrupting the work                   |
| • Improved fuel economy and productivity                        | • Easy-to-use control panel and menus   |
| • Automatical electric power-off                                | • Rear-view, arm-view camera  |
| • Maximum efficiency by selection of power and work modes       | • Possibility to register 27 different operating hours                                      |
| • Error mode registry and warning system                        | • Anti-theft system with personal code  |
| • Hidromek Smartlink (Optional)                                 | • Real time monitoring of operational parameters such as pressure, temperature, engine load |
| • Automatic preheating  |   |
| • Automatical powerboost  |   |

## SWING SYSTEM

Swing Motor	: Axial piston type integrated with shock absorber valves
Reduction	: 2 stage planetary gear box.
Swing Brakes	: Hydraulic multi disc type, automatic warnings
Swing Speed	: 7,7 rpm

## CAPACITY

Fuel Tank	: 655 L	Engine Oil	: 41 L
Hydraulic Tank	: 370 L	Engine Cooling System	: 65 L
Hydraulic System	: 615 L	Urea Tank	: 33 L

## ELECTRICAL SYSTEM

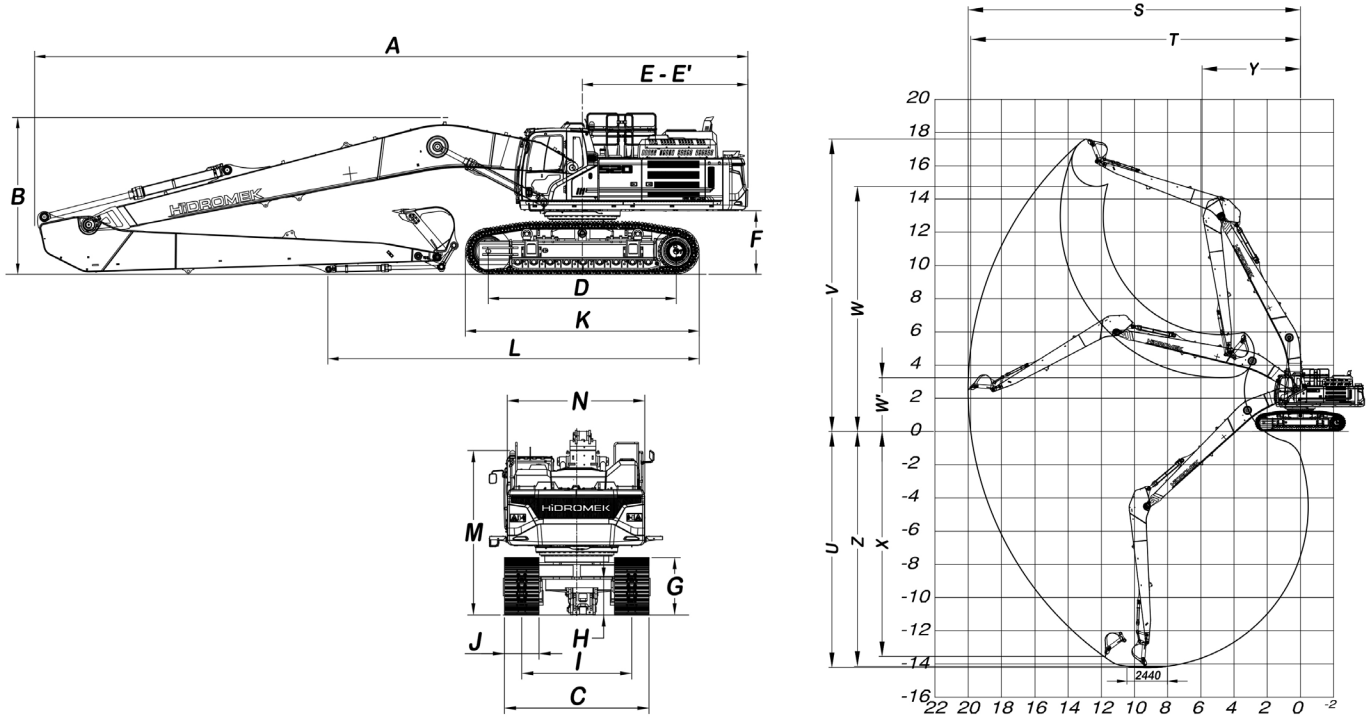
Voltage	: 24 V
Battery	: 2 x 12 V x 165 Ah
Alternator	: 24 V / 50 A
Starting Motor	: 24 V / 5,5 kw

## LUBRICATION

Centralized lubrication system is provided for lubrication all difficult-to-reach parts on the components, such as boom and arm

## OPERATING WEIGHT

Standard machine operating weight	: 54.900 kg
Operational weight, complying with the ISO 6016 standards, includes full fuel tank, hydraulic system and other liquids, 75kg operator weight and standard equipped machine weight. Optional equipments are not included.	



## GENERAL DIMENSIONS

Boom Dimension	11.400 mm
Arm Dimension	8.200 mm
A - Overall Length	16.710 mm
B - Overall Height (to top of boom)	3.760 mm
C - Overall Width	3.000 / 3.500 mm
D - Idler Distance	4.400 mm
E - Counterweight Distance	3.880 mm
E' - Turning Radius	3.895 mm
F - Upper Structure Ground Clearance	1.480 mm
G - Crawler Height	1.250 mm
H - Minimum Ground Clearance	775 mm
I - Track Gauge	2.390 mm
J - Shoe Width	600 mm
K - Overall Length of Crawler	5.470 mm
L - Length Over Ground	8.750 mm
M - Overall Height (to Top of Cab)	3.450 mm
N - Upper Structure Width	2.990 mm

## WORKING DIMENSIONS

Boom Dimension	11.400 mm
Arm Dimension	8.200 mm
S - Maximum Digging Reach	20.030 mm
T - Maximum Digging Reach at Ground Level	19.870 mm
U - Maximum Digging Depth	14.210 mm
V - Maximum Digging Height	17.620 mm
W - Maximum Dumping Clearance	14.760 mm
W' - Minimum Dumping Clearance	3.400 mm
X - Maximum Vertical Digging Depth	13.570 mm
Y - Minimum Swing Radius	6.240 mm
Z - Maximum Digging Depth (2440 mm level)	14.140 mm

## DIGGING PERFORMANCE

Standard Bucket Capacity	1,20 m <sup>3</sup> (SAE)
Bucket Digging Force (Power Boost) ISO	10.300 kgf
Arm Crowd Force (Power Boost) ISO	7.700 kgf

