



ENGINE

Model	: ISUZU-4JJ1X
Type	: Water cooled, 4 cycle, 4 cylinders, line type direct injection, turbocharger, electronic diesel engine
Power	: 105 HP (78,5 kW) @2000 rpm / SAE J1995 (Gross)
Max. Torque	: 375 Nm @1800 rpm (Gross)
Displacement	: 2999 cc
Bore and Stroke	: 95,4 mm x 104,9 mm
Emission Class	: EU Stage-V

UNDERCARRIAGE

Shoe	: Triple grouser 500 mm
No. Of Shoes	: 2 x 46
No. Of Lower Rollers	: 2 x 7
No. Of Upper Rollers	: 2 x 2
Track Tensioning	: Hydraulic Spring Tensioning

CAB

- Improved operator's all round visibility
- Increased cabin internal space
- Use of six viscomount cabin mountings that dampen the vibrations
- High capacity A/C
- High resolution, led backlight, color LCD display
- Opera Control System
- Cooled storage room
- Glass holder, book and object storage pockets
- Pool type floor mat
- Improved operator's comfort through versatile adjustable seat
- Ergonomically redesigned cabin through relocated switch board, and re-styled travel pedals and joysticks.

TRAVEL AND BRAKERS

Travel	: Fully hydrostatic
Travel Motors	: Axial piston type
Reduction	: 2 stage planetary gear
Travel Speed	
High Speed	: 5,7 km/h
Low Speed	: 3,4 km/h
Max. Drawbar Pull	: 11.230 kgf
Gradeability	: 35° (%70)
Parking Brake	: Hydraulic multi disc type
Ground Pressure (500mm Shoe):	0,48 kgf/cm ²

LUBRICATION

Centralized lubrication system is provided for lubrication all difficult-to-reach parts on the components, such as boom and arm

HYDRAULIC SYSTEM

Main Pump	
Type	: Double variable displacement axial piston pumps
Max. Flow	: 2 x 129 L/min
Pilot Pump	: Gear, 20 L/min
Relief Valves	
Attachment	: 350 kgf/cm ²
Power Boost	: 372 kgf/cm ²
Travel	: 350 kgf/cm ²
Swing	: 300 kgf/cm ²
Pilot	: 40 kgf/cm ²
Cylinders	
Boom 1	: 2 x ø110 x ø75 x 1080 mm
Boom 2	: 1 x ø150 x ø90 x 750 mm
Arm	: 1 x ø115 x ø80 x 1220 mm
Bucket	: 1 x ø95 x ø70 x 910 mm

OPERA CONTROL SYSTEM

- Easy-to-use control panel and menus
- Overheat prevention and protection system without interrupting the work
- Automatical electric power-off
- Maximum efficiency by selection of power and work modes
- Error mode registry and warning system
- Improved fuel economy and productivity
- Automatic idling Selection of multi-language on control panel
- Rear-view, arm-view camera (Optional)
- Possibility to register 27 different operating hours
- Anti-theft system with personal code
- Real time monitoring of operational parameters such as pressure, temperature, engine load

SWING SYSTEM

Swing Motor	: Axial piston type integrated with shock absorber valves
Reduction	: 2 stage planetary gear box.
Swing Brakes	: Hydraulic multi disc type, automatic warnings
Swing Speed	: 11,3 rpm

CAPACITY

Fuel Tank	: 235 L	Engine Oil	: 16 L
Hydraulic Tank	: 115 L	Radiator	: 20 L
Hydraulic System	: 205 L	Urea tank	: 33 L

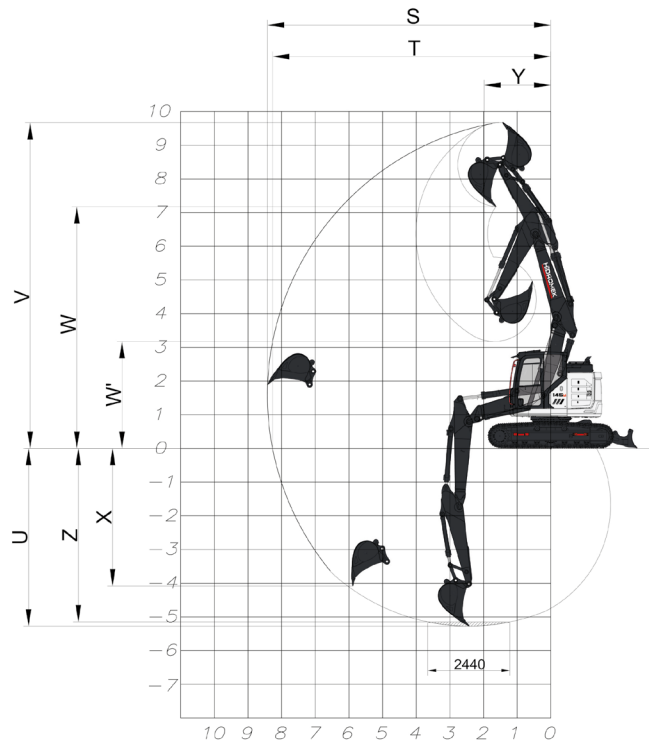
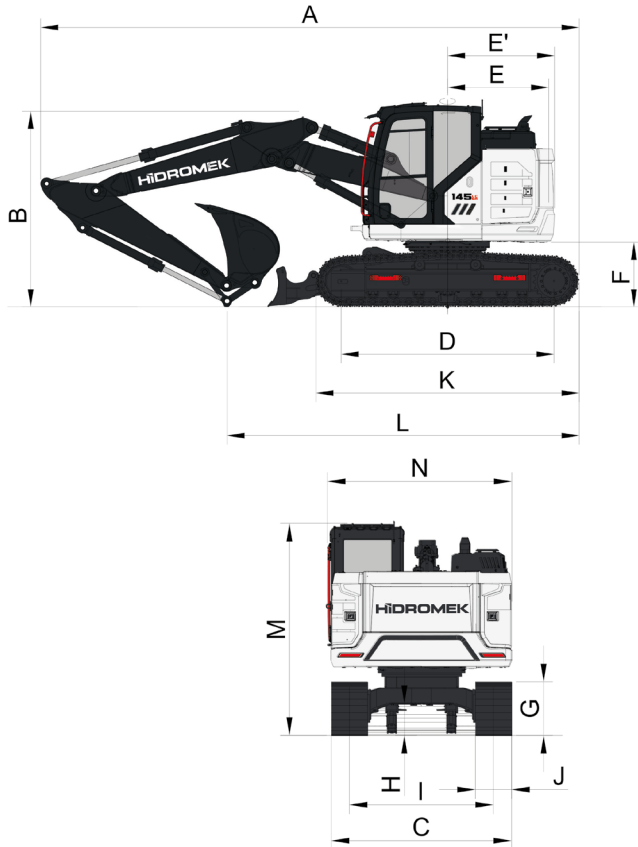
ELECTRICAL SYSTEM

Voltage	: 24V
Battery	: 2 x 12 V x 100 Ah
Alternator	: 24 V / 50 A
Starting Motor	: 24V / 4 kW

OPERATING WEIGHT

Standard machine operating weight : 17.050 kg

Operational weight, complying with the ISO 6016 standards, includes full fuel tank, hydraulic system and other liquids, 75 kg operator weight and standard equipped machine weight. Optional equipments are not included.



GENERALE DIMENSIONS

Boom dimension	4800 mm		
Arm dimension	*2300 mm	2600 mm	2900 mm
A - Overall length	7640 mm	7610 mm	7570 mm
B - Overall height (to top of boom)	2810 mm	2950 mm	3040 mm
C - Overall width (of lower structure)	2490 mm		
D - Idler distance	3035 mm		
E - Tall swing radius	1500 mm		
E' - Tall swing distance	1525 mm		
F - Upperstructure ground clearance	920 mm		
G - Crawler height	830 mm		
H - Min. Ground clearance	430 mm		
I - Track gauge	1990 mm		
J - Shoe width	500 mm		
K - Overall length of crawler	3755 mm		
L - Length over ground	5040 mm	4930 mm	4720 mm
M - Overall height (to top of cab)	2930 mm		
N - Upperstructure width	2500 mm		

* Standard

WORKING DIMENSIONS

Boom dimension	4800 mm		
Arm dimension	*2300 mm	2600 mm	2900 mm
S - Max.digging reach	8570 mm	8840 mm	9070 mm
T - Max.digging reach at ground level	8380 mm	8690 mm	8930mm
U - Max.digging depth	5380 mm	5690 mm	5920 mm
V - Max.digging height	9780 mm	10070 mm	10280 mm
W - Max.dumping height	7060 mm	7350 mm	7690 mm
W' - Min.dumping height	3060 mm	2810 mm	2590 mm
X - Max.vertical digging depth	4780 mm	5120 mm	5220 mm
Y - Minimum dönüş yarı çapı	1990 mm	2160 mm	2270 mm
Z - Yatay Kazma Derinliği (2440 mm)	5260 mm	5570 mm	5810 mm

DIGGING PERFORMANCE

Standard Bucket Capacity (SAE)	0,6 m ³		
Bucket Digging Force (Power Boost) ISO	9500 (10000) kgf		
Arm Crowd Force (Power Boost) ISO	6900 (7300) kgf	6300 (6700) kgf	5800 (6100) kgf

HİDROMEK®

FACTORY - HEAD OFFICE

Ahi Evran OSB Mahallesi Osmanlı Caddesi No:1 06935 Sincan / ANKARA / TURKEY
Tel: (+90) 312 267 12 60 Fax: (+90) 312 267 12 39
www.hidromek.com

Notice:
Hidromek has the right to modify the specifications and design of the model indicated on this brochure without prior notice.