



ENGINE

Model	: ISUZU GI-4HK1X
Type	: Water-cooled, 4 cycle, 4 cylinders, line type direct injection, turbocharger, intercooler, electronic diesel engine
Power	: 161 HP (120 kW) @2000 rpm / SAE J1995 (Gross) : 151 HP (113 kW) @2000 rpm / SAE J1349 (Net)
Max. Torque	: 657 Nm @1500 rpm (Gross)
Displacement	: 5193 cc
Bore and Stroke	: 115 mm x 125 mm
Emission Class	: R96 (Stage-IIIa)

UNDERCARRIAGE

X Type Lower Frame Construction Pentagon Box Type Chassis	
Shoe	: Triple grouser
No. Of Shoes	: 2 x 49
No. Of Lower Rollers	: 2 x 9
No. Of Upper Rollers	: 2 x 2
Track Tensioning	: Hydraulic Spring Tensioning

CAB

- Improved operator's all round visibility
- Increased cabin internal space
- Use of six viscomount cabin mountings that dampen the vibrations
- High capacity A/C
- High resolution, LED backlight, color LCD display
- Opera Control System
- Cooled storage room
- Glass holder, book and object storage pockets
- Pool type floor mat
- Improved operator's comfort through versatile adjustable seat
- Ergonomically redesigned cabin through relocated switch board, and re-styled travel pedals and joysticks.

TRAVEL AND BRAKERS

Travel	: Fully hydrostatic
Travel Motors	: Axial piston type
Reduction	: 2 stage planetary gear
Travel Speed	
High Speed	: 5,8 km/h
Low Speed	: 3,8 km/h
Max. Drawbar Pull	: 18.365 kqf
Gradeability	: 35° (%70)
Parking Brake	: Hydraulic multi disc type
Ground Pressure (600mm Shoe)	: 0,50 kgf/cm ²

LUBRICATION

Centralized lubrication system is provided for lubrication all difficult-to-reach parts on the components, such as boom and arm

HYDRAULIC SYSTEM

Main Pump	
Type	: Double variable displacement axial piston pumps
Max. Flow	: 2 x 233 L/min
Pilot Pump	: Gear, 20 L/min
Relief Valves	
Attachment	: 350 kgf/cm ²
Power Boost	: 370 kgf/cm ²
Travel	: 350 kgf/cm ²
Swing	: 306 kgf/cm ²
Pilot	: 40 kgf/cm ²
Cylinders	
Main Boom	: 2 x ø 125 x ø 85 x 878 mm
Stick Cylinder	: 2 x ø 125 x ø 85 x 990 mm
Bucket Cylinder	: 2 x ø 100 x ø 70 x 774 mm

OPERA CONTROL SYSTEM

- Easy-to-use control panel and menus
- Overheat prevention and protection system without interrupting the work
- Automatic electric power-off
- Maximum efficiency by selection of power and work modes
- Error mode registry and warning system
- Improved fuel economy and productivity
- Automatic idling Selection of multi-language on control panel
- Rear-view, arm-view camera (Optional)
- Possibility to register 27 different operating hours
- Anti-theft system with personal code
- Real time monitoring of operational parameters such as pressure, temperature, engine load

SWING SYSTEM

Swing Motor	: Axial piston type integrated with shock absorber valves
Reduction	: 2 stage planetary gear box.
Swing Brakes	: Hydraulic multi disc type, automatic warnings
Swing Speed	: 11,9 rpm

CAPACITY

Fuel Tank	: 405 L	Engine Oil	: 21 L
Hydraulic Tank	: 152 L	Radiator	: 33 L
Hydraulic System	: 285 L		

ELECTRICAL SYSTEM

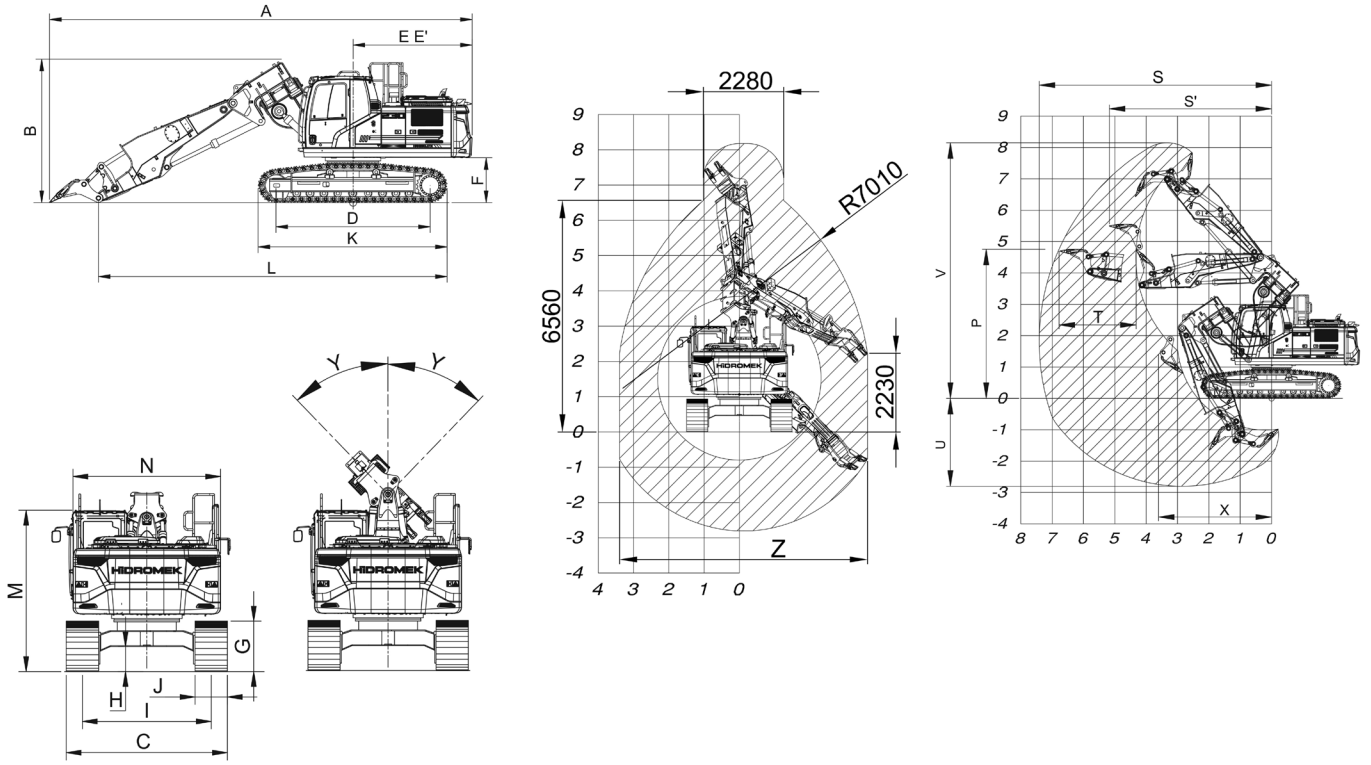
Voltage	: 24V
Battery	: 2 x 12 V x 100 Ah
Alternator	: 24V / 50 A
Starting Motor	: 24V / 5 kW

OPERATING WEIGHT

Standard machine operating weight	: 23.100 kg
-----------------------------------	-------------

Operational weight, complying with the ISO 6016 standards, includes full fuel tank, hydraulic system and other liquids, 75kg operator weight and standard equipped machine weight. Optional equipments are not included.

HMK230LCTX H4



GENERAL DIMENSIONS

Boom Dimension	2.700 mm
Arm Dimension	3.890 mm
A - Overall length	9.980 mm
B - Overall height (to top of boom)	3.390 mm
C - Overall width	2.990 mm
D - Idler distance	3.640 mm
E - Tail swing radius	2.800 mm
E' - Upperstructure ground clearance	2.810 mm
F - Crawler height	1.060 mm
G - Min. ground clearance	935 mm
H - Track gauge	465 mm
I - Shoe width	2.390 mm
J - Overall length of crawler	600 mm
K - Length over ground	4.460 mm
M - Overall height (to top of cab)	2.995 mm
N - Upperstructure width	2.740 mm

WORKING DIMENSIONS

Boom Dimension	2.700 mm
Arm Dimension	3.890 mm
S - Max. Reach Distance	7.410 mm
S' - Vertical reach at 5.5 m	5.180 mm
V - Maximum Digging Height	8.150 mm
U - Max. digging height	2.800 mm
Y - Boom swing angle	44°
Z - Maximum working width	7.040 mm
X - Attachment swing Radius	3.610 mm

DIGGING FORCES

	SAE	ISO
Ripper Digging	16800 kgf	21500 kgf
At Power Max.	17700 kgf	22700 kgf
Arm Crowd	20700 kgf	22200 kgf
At Power Max.	21900 kgf	23400 kgf



HİDROMEK®

FACTORY - HEAD OFFICE

Ahi Evran OSB Mahallesi Osmanlı Caddesi No:1 06935 Sincan / ANKARA / TURKEY
Tel: (+90) 312 267 12 60 Fax: (+90) 312 267 12 39
www.hidromek.com

Notice:
Hidromek has the right to modify the specifications and design of the model indicated on this brochure without prior notice.