

H4 SERIES

HMK140 LC



HIDROMEK





New H4 Series

Innovation coming from experience

Being produced with developed hydraulic system design, **HMK 140 LC** crawler excavator belonging to HİDROMEK's new H4 Series excavators offer an outstanding performance by working fast, productively and efficiently.

Providing the required power for the job with the advantage of having high performance in different working fields, **HMK 140 LC** offers durability, easy usage, operator comfort and safety together with an enjoyable working environment.

H4
SERIES



Performance.....	6-7
Durability.....	8-11
Safety.....	12-13
Technology.....	14-15
Comfort.....	16-17
HIDROMEK Smartlink - Ease of Service.....	18-19
Technical Features	20-25

The information and images, and equipment presented in this brochure are either standard or optional depending on the configuration. HIDROMEK has the right to modify the specifications and the designs of the model indicated in this brochure without prior notice.







HMK 140 LC

Strong!

Being produced as heavy duty type, HMK 140 LC provides problem-free and constant work in all fields and conditions due to its balanced and durable structure, engine with high performance, power and technological equipment.

Dynamic!

With its cycle times, operating weight and dimensions, HMK 140 LC offers high productivity and efficiency in any field conditions in the city or in the field.

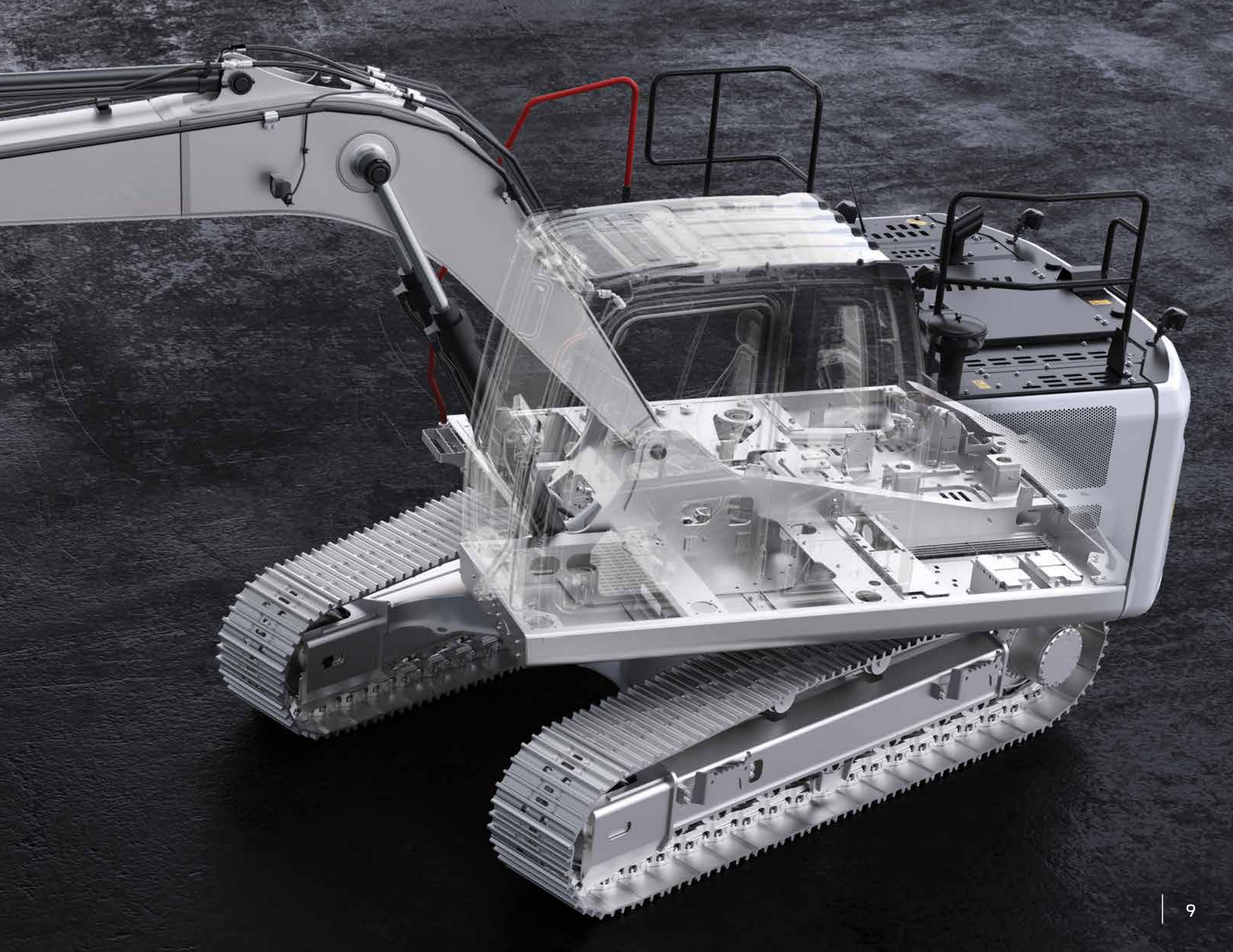
Innovative!

Having developed hydraulic system design of H4 Series, HMK 140 LC facilitates the job in the field offering easy operation, operator safety and comfort with its superior technology and equipment.



More durable

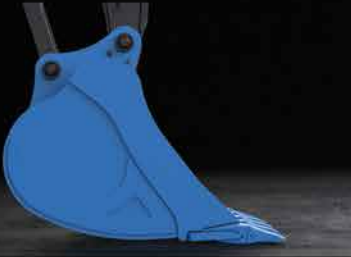
Produced to have reinforced heavy duty construction considering maximum performance, long life and smooth operation in severe field conditions, HİDROMEK excavators ensure more durability with the improvements made in the new H4 Series.





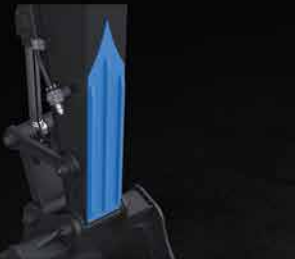
①

More durable anti-wearing plates
(Hardox 450 HB)



②

Optimized bucket form



③

Reinforced arm supporting parts



④

Reinforced casting tip



⑤

Heavy duty arm



⑥

Reinforced boom structure



⑦

Reinforced boom cylinder cast bearing



⑧

Reinforced lowerframe and
undercarriage components

Reinforced heavy duty construction

With their reinforced heavy duty construction produced at HIDROMEK's modern production facilities and going through sensitive quality-control processes, H4 Series excavators have excellent durability.

Bronze-Graphite Bushings



⑤

Bronze-graphite bushings used in boom-arm and boom-frame connection points increase the lubrication period, and greatly prevent the wear of the pins because of graphite, having a very high grease absorption and retention capability, embedded in the inner structure of the bushings.

④

①



HIDROMEK

HM140LC

Safeworkingenvironment



ROPS&FOPS cabin

Having the standards of ROPS (Roll Over Protective Structure) & FOPS (Falling Object Protective Structure), H4 Series excavators provide maximum safety and durability.

Wide vision capacity

Designed with giving special importance to occupational safety, H4 Series ensure excellent vision by minimizing the blind spot on the side and rear cameras. Along with the increase in the number of led headlights, the night vision is significantly improved on H4 Series excavators; in addition, there are also red handles and warning labels providing maximum safety for the operator.

Audio warning systems

H4 Series excavators enable safer working environment with their automatic starting horn, swing warning system and travel warning system.



Shaped with technology

Electronic system of H4 Series excavators designed to protect the engine and hydraulic components to provide fuel saving and superior performance.

Automatic stop system

In the new series, automatic stop system through configurable idling and stopping times provides fuel saving by stopping the engine after the machine is on idle. Automatic stop system in H4 Series helps to decrease the operational costs to minimum, and contributes to saving the environment.

Safe fuel transfer pump

“Safe fuel transfer pump” added to H4 Series stops the pump automatically when the tank is full and this feature gets activated also when the pump does not transfer fuel for 30 seconds, and ensures that the pump stops automatically.

Power boost technology

In H4 Series, power boost technology gets activated automatically in the conditions when the machine needs extra power, and ensures that the machine has the proper performance for the work.

8” Touch control panel

8 inch touch control panel is positioned ergonomically at a point that the operator can easily reach it. Touch control panel having high quality hardware and a large screen easily enables to control the machine features and access to machine information.

The features of touch control panel:

- It offers multi-language option
- Music system is integrated into 8” touch control panel.
- It allows the operator to adjust the flow required for the attachment without leaving the cab and save this information for 20 different attachments.
- Selection of double or single acting line can also be done over the user panel.
- During travel, rear and side view cameras with improved image quality and activated automatically can be controlled.
- Information on the average and instant fuel consumption can be obtained.
- Information on status such as atmospheric pressure, turbo boost pressure, fuel pressure and hydraulic pump pressure can be obtained.
- User can acquire working hour information such as work, attachment and travel.
- Maintenance registries can be obtained, and the user is warned when the maintenance time approaches.
- Failure codes and registries can be obtained.
- Audio warning systems can be controlled.





OPERA, the guide of the field

H4 Series excavators are equipped with Opera (HIDROMEK Operator Interface) for the operator to use the machine easily, and feel comfortable and relaxed as he is in an office environment.

Functions to be controlled by means of Opera

- Engine RPM control
- Access to control panel menu
- Functions of lights, windshield wipers and rear view camera
- Music system control
- Auto stop control of the engine to ensure maximum fuel economy during low idle
- On H4 Series machines, the preheating system available to protect the engine and hydraulic systems can be controlled via Opera.

The aesthetic design of power

The seat ergonomic, heated, air suspended and having 35 degrees adjustable backrest angle is provided in H4 Series, and it enables the operator to work comfortably and without getting tired for long working hours.

H4 Series which has many features* such as proportional control pedals and joysticks, throttle control dial, operator touch screen, interior light, cup holder and heating-cooling box give more importance to user comfort.

HIDROMEK

* Other features for user comfort on H4 Series machines can be found on page 21.

Office comfort in construction equipment

Automatic air conditioning system

Air vents and air conditioning system which can automatically adjust itself according to the ambient heat located in the redesigned cabin provide the best cooling performance in its class by 30%.

Wide angle view

On the new series machines, the new two-piece windshield wiper system designed for creating more comfortable work environment provides a wide angle view which increases the work efficiency of the user.

Led headlights for night vision

Led headlights on new H4 Series machines improve the night vision, and enable the operator to work more safely and comfortably.

Dampers

By using 6 silicone dampers on H4 Series excavators, noise, shock and vibration are absorbed and prevented from being transmitted to the cabin under any working condition.



You have the control with HÍDROMEK **SmartLink**

Telematic system HÍDROMEK Smartlink allows the user to easily access to machine location and technical information via computer and mobile phone.

Follow the work time and location of your machine through HÍDROMEK Smartlink!

Through GPS tracking system, it is possible to track the location and the work time intervals of the machine.

Analyze your fuel consumption through HÍDROMEK Smartlink!

It is possible to analyze fuel consumption according to the working conditions of the machine and daily fuel parameters.

Check the works for which your machine has been used through HÍDROMEK Smartlink!

Through working mode information, it is possible to see the daily and total working hours of the machine for excavation and leveling and with crusher or with other optional attachments besides the power mode information and the speed ranges.

Follow your machine's maintenance through HÍDROMEK Smartlink!

Under the Alerts list, the machine's upcoming maintenance can be checked while the information of the nearest authorized service can be obtained, and it can be contacted.

Contact the nearest authorized service or regional service through HÍDROMEK Smartlink!

With the application, it is possible to obtain the information on Regional and Authorized Services of HÍDROMEK After Sales Services as well as the directions to them.

Have performance reports for the selected periods of time for your machines through HÍDROMEK Smartlink!

For any selected periods of time, it is possible to have a report on daily fuel consumption, average fuel consumption, power and working modes, daily work time intervals and locations.



To download Smartlink application



Easy maintenance and fast service for H4 Series through safe and easy access

H4 Series excavators, designed considering fast access to hydraulic and engine equipment, provide easy maintenance and service. Most of the maintenance can be easily carried out without getting on the machine, which shortens the service time and increases machine work time.

Automatic greasing system ensures that all parts of the machine can be lubricated from one single center.



ENGINE

Brand & Model	ISUZU AJ-4JJ1X		
Type	Water cooled, 4 cycles, 4 cylinders, inline, diesel engine with direct injection, turbocharger and intercooler		
Power	Gross	98 HP (73 kW) @2000 rpm / SAE J1995	
	Net	95 HP (70,9 kW) @2000 rpm / SAE J1349	
Maximum Torque	Gross	385 Nm @1600 rpm	
	Net	378 Nm @1600 rpm	
Displacement	2999 cc		
Bore x Stroke	95,4 mm x 104,9 mm		
Emission Class	Stage IIIA / Tier 3 (EU/EPA)		

HYDRAULIC SYSTEM

MAIN PUMP

Type	2 axial piston pumps with variable displacement and swashplate		
Max. Flow Rate	2 x 129 L/min		
Pilot Pump	Gear type 20 L/min		

WORKING PRESSURE

Attachment	350 kgf/cm ²		
Power Boost	372 kgf/cm ²		
Travel	350 kgf/cm ²		
Swing	260 kgf/cm ²		
Pilot	40 kgf/cm ²		

HYDRAULIC CYLINDERS

Boom	2 x ø105 x 75 x 1080 mm		
Arm	1 x ø115 x 80 x 1225 mm		
Bucket	1x ø95 x 70 x 910 mm		

SWING SYSTEM

Swing motor	Fixed swashplate piston motor integrated with super shock absorber valve		
Reduction	2 stage, planetary gear type		
Swing Brake	Hydraulic disc type, pilot operated and automatically released		
Swing Speed	11,1 rpm		

LOWER FRAME

Construction	"X" type lower frame with pentagon shaped box type side frames		
Shoe	Triple grouser - 500 mm		
No. of Shoes	2 x 46 pieces		
No. of Lower Rollers	2 x 7 pieces		
No. of Upper Rollers	2 x 2 pieces		
Track Tensioner	Hydraulic type with spring cushioning		

ELECTRICAL SYSTEM

Voltage	24 V		
Battery	2 x 12 V / 100 Ah		
Alternator	24 V / 50 A		
Starter Motor	24 V / 4 kW		

TRAVEL AND BRAKES

Travel	Fully hydrostatic		
Travel Motor	Axial piston motor with 2 speed stages and swashplate		
Reduction	2 stage, planetary gear type		
Travel Speed	High Speed	5,6 km/h	
	Low Speed	3,3 km/h	
Max. Traction	11.600 kgf		
Gradeability	35° (%70)		
Parking Brake	Hydraulic disc type, pilot operated and automatically released		
Ground Pressure (With 500 mm Shoe)	0,44 kgf/cm ²		

FILLING CAPACITIES

Fuel Tank	280 L	Engine Cooling System	20 L
Hydraulic Tank	115 L	Engine Oil	16 L
Hydraulic System	210 L		

OPERATING WEIGHT (kg)

	Mono Boom	Two Pieces Boom
HMK 140 LC	14.800	15.100

EQUIPMENT

HMK 140 LC

Engine	Standard	Optional
Water cooled diesel engine with turbocharger and intercooler	●	
Engine pre-heat function	●	
Automatic idling	●	
One touch auto-idle system	●	
Automatic stop function	●	
Two-stage air filter	●	
Air filter clogged indicator	●	
Low engine pressure warning system	●	
Overheat warning system	●	
Adjustable power modes	●	
High altitude working function	●	
Electronical engine control	●	

Hydraulic System	Standard	Optional
Boom and arm regeneration valve	●	
Automatic power boost	●	
Smooth boom feature		0
Main hydraulic filter	●	
Backup ports (valve)	●	
Cylinder cushioning and contamination seals	●	
Single-acting hydraulic line, breaker		0
Double- acting hydraulic line, crusher		0
Additional line		0
Quick coupling line		0
Attachment settings through instrument panel		0

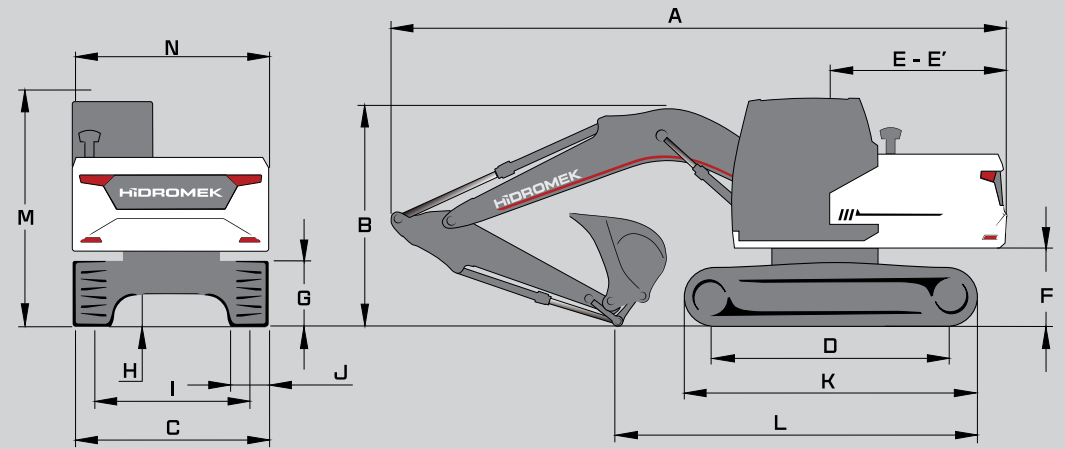
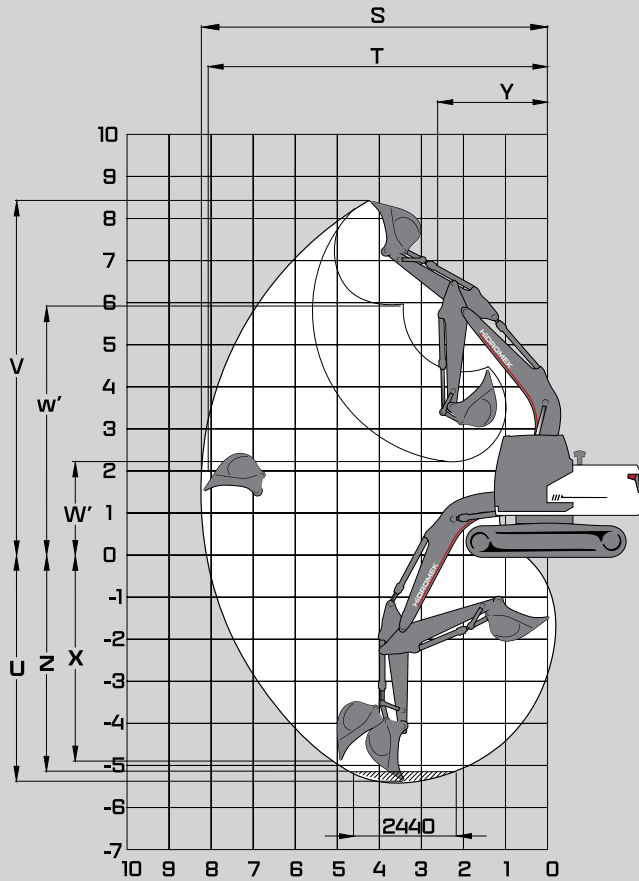
OPERATOR'S CAB	Standard	Optional
Pressurized and sound isolated cabin	●	
Air-conditioning	●	
Air-suspension seat	●	
Heated seat		0
Operator touch screen	●	
Opera control system	●	
Throttle control dial	●	
Automatic travel speed (low / high)	●	
4 different working modes	●	
Sliding windscreen and removable lower windscreen	●	
Openable left door window	●	
Upper and lower windshield wiper	●	
Joysticks and pedals	●	
Travel pedals and control levers	●	
Proportional controlled pedals and joysticks		0
Electric horn	●	
Interior light	●	
Cup-holder	●	
Convenient storage	●	
Convenient storage (for equipment)	●	
Heating & Cooling box	●	
Easy-cleaned floor	●	
12V power socket	●	
Computer connection port	●	
Radio / mp3 / usb / Aux	●	

Lower Frame	Standard	Optional
Optional track shoes width 600/700		0
Rubber shoe		0
Lubricated and sealed track components	●	
Lifting bracket	●	

Safety	Standard	Optional
ROPS (Roll Over Protective Structure)	●	
FOPS (Falling Object Protective Structure)	●	
Rear view camera	●	
Side view camera		0
Right and left rear view mirrors	●	
Working lamps	●	
LED working lamps		0
Rotating beacon		0
Swing and travel alarm		0
Emergency engine stop switch	●	
Pilot operated and automatically released swing brake	●	
Boom and arm cylinder safety valve		0
Overload warning system		0
Battery cut-off switch	●	
Handrails by the steps and on the upper frame	●	
Perforated metal non-slip plates	●	
Safety locking device	●	
Safety glass	●	
Emergency hammer	●	
Lockable fuel tank cover	●	
Upper and lower guards for windshield		0
Operator's cab ceiling guard		0

Miscellaneous	Standard	Optional
Telematic system (HIDROMEK Smartlink)		0
GEO System		0
Fuel transfer pump with automatic stop	●	
Water sensor on fuel pre-filter	●	
Bio oil B7	●	
Alternator - Battery	●	
Battery Charge Indicator	●	
Automatic lubrication system		0
Working lamp guards		0
Hydraulic breaker return line filter		0
Double pump combination function		0
Choosing single or double acting attachment on the instrument panel		0
Choosing the control method for the optional attachment		0
Boom cylinder piping guard		0
Bucket cylinder rod guard		0
Warning horn	●	
Counterweights		0

● STANDARD 0 OPTIONAL



DIMENSIONS

		Mono Boom			Two Pieces Boom	
		*4,60			*4,80	
BOOM (m)						
ARM (m)		*2,30	2,60	2,90	*2,30	2,60
GENERAL DIMENSIONS (mm)	A) Overall Length	7.890	7.890	7.870	8.090	8.060
	B) Overall height (to top of boom)	2.830	2.950	3.030	2.800	2.920
	C) Overall Width	2.490				
	D) Distance between tumblers	3.035				
	E) Distance from center of swing to rear end	2.250				
	E') Tail swing radius	2.310				
	F) Counterweight Clearance	937				
	G) Track Height	834				
	H) Ground Clearance	430				
	I) Track Gauge	1.990				
	J) Shoe Width	500				
	K) Track Length	3.750				
	L) Length on ground (transport)	4.650	4.500	4.260	5.070	4.950
	M) Overall height of cab	2.870				
N) Overall width of upperstructure	2.500					
WORKING RANGES (mm)	S) Maximum Digging Reach	8.220	8.520	8.810	8.480	8.790
	T) Maximum Digging Reach on Ground Level	8.070	8.380	8.670	8.340	8.650
	U) Maximum Digging Depth	5.360	5.660	5.960	5.330	5.640
	V) Maximum Digging Height	8.430	8.680	8.860	9.210	9.490
	W) Maximum Dumping Height	5.920	6.150	6.330	6.640	6.900
	W') Minimum Dumping Height	2.220	1.920	1.610	2.700	2.420
	X) Maximum Vertical Digging Depth	4.890	5.180	5.480	4.600	4.940
	Y) Minimum Swing Radius	2.620	2.670	2.690	2.590	2.700
	Z) Maximum Digging Depth (2440 mm level)	5.140	5.460	5.780	5.210	5.520

* Standard

FORCES

		Mono Boom			Two Pieces Boom	
BOOM (m)		4,60			4,80	
ARM (m)		*2,30	2,60	2,90	*2,30	2,60
SAE	Bucket Digging Force	8.200				
	Bucket Digging Force (Power Boost)	8.700				
	Arm Crowd Force	6.600	6.100	5.600	6.600	6.100
	Arm Crowd Force (Power Boost)	7.000	6.400	5.900	7.000	6.400
ISO	Bucket Digging Force	9.500				
	Bucket Digging Force (Power Boost)	10.000				
	Arm Crowd Force	6.900	6.300	5.800	6.900	6.300
	Arm Crowd Force (Power Boost)	7.300	6.700	6.100	7.300	6.700

A- Material density less than 2.000 kg/m³
 B- Material density less than 1.800 kg/m³
 C- Material density less than 1.500 kg/m³
 D- Material density less than 1.200 kg/m³

STANDARD BUCKET



	Width	1.000 mm	
	Capacity (SAE)	0,6 m ³	
	Weight	525 kg	
	Number of Teeth	4	
		4.6 BOM	*2P BOM
ARM	2,00 m	A	A
	*2,30 m	B	A
	2,60 m	C	B
	2,90 m	C	C

OPTIONAL BUCKET SELECTION SCHEME

General Purpose Bucket



		600 mm		810 mm		890 mm		1.145 mm		1.210 mm	
		0,30 m ³		0,45 m ³		0,50 m ³		0,70 m ³		0,75 m ³	
		350 kg		450 kg		490 kg		560 kg		580 kg	
		3		3		4		5		5	
		4.6 BOM	2P BOM	4.6 BOM	2P BOM	4.6 BOM	2P BOM	4.6 BOM	2P BOM	4.6 BOM	2P BOM
	A	A	A	A	A	A	A	C	A	C	B
	A	A	A	A	A	A	A	C	B	D	C
	A	A	A	A	A	A	A	D	C	D	C
	A	A	A	A	A	B	A	D	D	D	D

* Standard

HEAVY DUTY

QUICK COUPLER



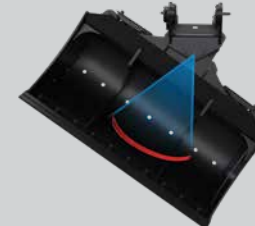
RIPPER



CLEANING BUCKET



TILTING BUCKET



LOG GRAPPLE



ATTACHMENTS

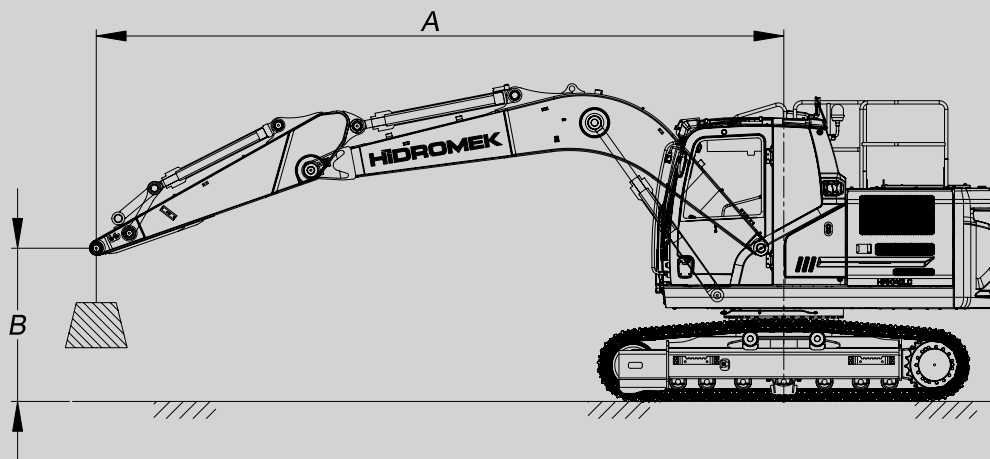
LIFTING CAPACITY (kg)													HMK 140 LC		
	Boom: 4,6 m		Arm: 2,3 m		Without bucket		STD, 500 mm Crawler		CW: 2300 kg				📏 : Front	📏 : Side	
A, m	1,5		3,0		4,5		6,0		7,5		9,0		Maximum Reach		
B, m	📏	📏	📏	📏	📏	📏	📏	📏	📏	📏	📏	📏	📏	📏	R, m
6,0					*3950	*3950							*2900	*2900	5.22
4,5					*4200	4000	*3800	2500					*2700	2350	6.23
3,0			*7300	7000	*5150	3750	3800	2400					*2700	2000	6.76
1,5					5650	3450	3650	2300					*2850	1850	6.92
0 (Ground)			*7050	5900	5450	3250	3550	2200					3000	1900	6.74
-1,5	*5900	*5900	*10650	5900	5400	3200	3550	2200					3400	2100	6.19
-3,0	*11150	*10750	*9050	6050	5450	3300							4500	2750	5.14

LIFTING CAPACITY (kg)													HMK 140 LC		
	Boom: 4,6 m		Arm: 2,6 m		Without bucket		STD, 500 mm Crawler		CW: 2300 kg				📏 : Front	📏 : Side	
A, m	1,5		3,0		4,5		6,0		7,5		9,0		Maximum Reach		
B, m	📏	📏	📏	📏	📏	📏	📏	📏	📏	📏	📏	📏	📏	📏	R, m
6,0													*2450	*2450	5.62
4,5					*3850	*3850	*3850	2500					*2250	2150	6.57
3,0			*6650	*6550	*4850	3800	3800	2450					*2250	1850	7.07
1,5			*8650	6250	5700	3500	3650	2300					*2350	1750	7.23
0 (Ground)			*7200	5900	5450	3250	3550	2200					*2650	1750	7.05
-1,5	*5300	*5300	*10550	5850	5350	3200	3500	2150					3100	1950	6.53
-3,0	*9400	*9400	*9500	5950	5400	3250							4000	2450	5.55

LIFTING CAPACITY (kg)													HMK 140 LC		
	Boom: 4,6 m		Arm: 2,9 m		Without bucket		STD, 500 mm Crawler		CW: 2300 kg				📏 : Front	📏 : Side	
A, m	1,5		3,0		4,5		6,0		7,5		9,0		Maximum Reach		
B, m	📏	📏	📏	📏	📏	📏	📏	📏	📏	📏	📏	📏	📏	📏	R, m
7,5													*2500	*2500	4.42
6,0													*2050	*2050	5.99
4,5							*3600	2550					*1900	*1900	6.88
3,0			*5850	*5850	*4500	3850	3800	2450					*1900	1700	7.36
1,5			*9200	6400	5750	3500	3650	2300	*2050	1600			*1950	1600	7.51
0 (Ground)			*7650	5900	5450	3250	3550	2200					*2200	1650	7.34
-1,5	*5000	*5000	*10050	5800	5350	3150	3450	2100					*2600	1800	6.84
-3,0	*8400	*8400	*9900	5850	5350	3200							*3550	2200	5.92
-4,5			*7100	6150									*4600	3600	4.29

LIFTING CAPACITY (kg)												HMK 140 LC			
	Boom: 4,8 m		Arm: 2,3 m		Without bucket		STD, 500 mm Crawler		CW: 2300 kg				📍 : Front	📍 : Side	
A, m	1,5		3,0		4,5		6,0		7,5		9,0		Maximum Reach		
B, m	📍	📍	📍	📍	📍	📍	📍	📍	📍	📍	📍	📍	📍	📍	R, m
7,5													*3750	*3750	3.83
6,0					*5000	4100							*2950	2800	5.58
4,5					*5500	3950	3850	2500					*2700	2100	6.53
3,0					5950	3700	3750	2400					*2650	1800	7.04
1,5					5600	3400	3600	2250					2750	1700	7.19
0 (Ground)					5400	3200	3500	2150					2800	1750	7.02
-1,5			*8600	5800	5350	3150	3500	2150					3150	1950	6.49
-3,0					*4450	3200									

LIFTING CAPACITY (kg)												HMK 140 LC			
	Boom: 4,8 m		Arm: 2,6 m		Without bucket		STD, 500 mm Crawler		CW: 2300 kg				📍 : Front	📍 : Side	
A, m	1,5		3,0		4,5		6,0		7,5		9,0		Maximum Reach		
B, m	📍	📍	📍	📍	📍	📍	📍	📍	📍	📍	📍	📍	📍	📍	R, m
7,5													*3100	*3100	4.40
6,0					*4400	4150							*2500	*2500	5.97
4,5					*4800	4000	3900	2500					*2300	1950	6.87
3,0			*8850	7000	6000	3750	3800	2400					*2250	1700	7.35
1,5					5650	3400	3600	2250					*2300	1600	7.50
0 (Ground)			*5150	*5150	5400	3200	3500	2150					*2550	1600	7.33
-1,5			*8500	5700	5300	3100	3450	2100					2900	1800	6.83
-3,0			*6650	5850	*4900	3150							*3000	2200	5.90



HIDROMEK®

HEAD OFFICE

Address: Ahi Evran OSB Mahallesi,
Osmanlı Caddesi, No:1, 06935
Sincan-ANKARA/TURKEY

Phone : +90 312 267 12 60

Fax : +90 312 267 12 39

E-mail: export@hidromek.com.tr

AFTER SALES SERVICE

Address: İstanbul Yolu 17. Km,
Şehit Osman Avcı Mahallesi,
No: 479, Etimesgut-ANKARA/TURKEY

Phone : +90 312 280 87 40

Fax : +90 312 280 87 48

HIDROMEK® WEST

HIDROMEK MAQUINARIA DE CONSTRUCCION ESPAÑA S.L.

Address: Avenida Del Progres 7 08840 –
Viladecans Barcelona/ SPAIN

Phone : +34 93 638 84 65

E-mail : info@hidromek.es

HIDROMEK® JAPAN

Address: 5-10, Hashimoto 6-chome,
Midori-Ku, Sagamihara,
Kanagawa, 252-0143 JAPAN

Phone : +81 42 703 0261

Fax : +81 42 703 0262

HIDROMEK® RUS

Address: 72, Zhivopisnaya str, Building A,
village Oktyabrskiy,
Krasnodar, 350032, RUSSIA

Phone : +7 861 290 3007

E-mail : info@hidromek.ru

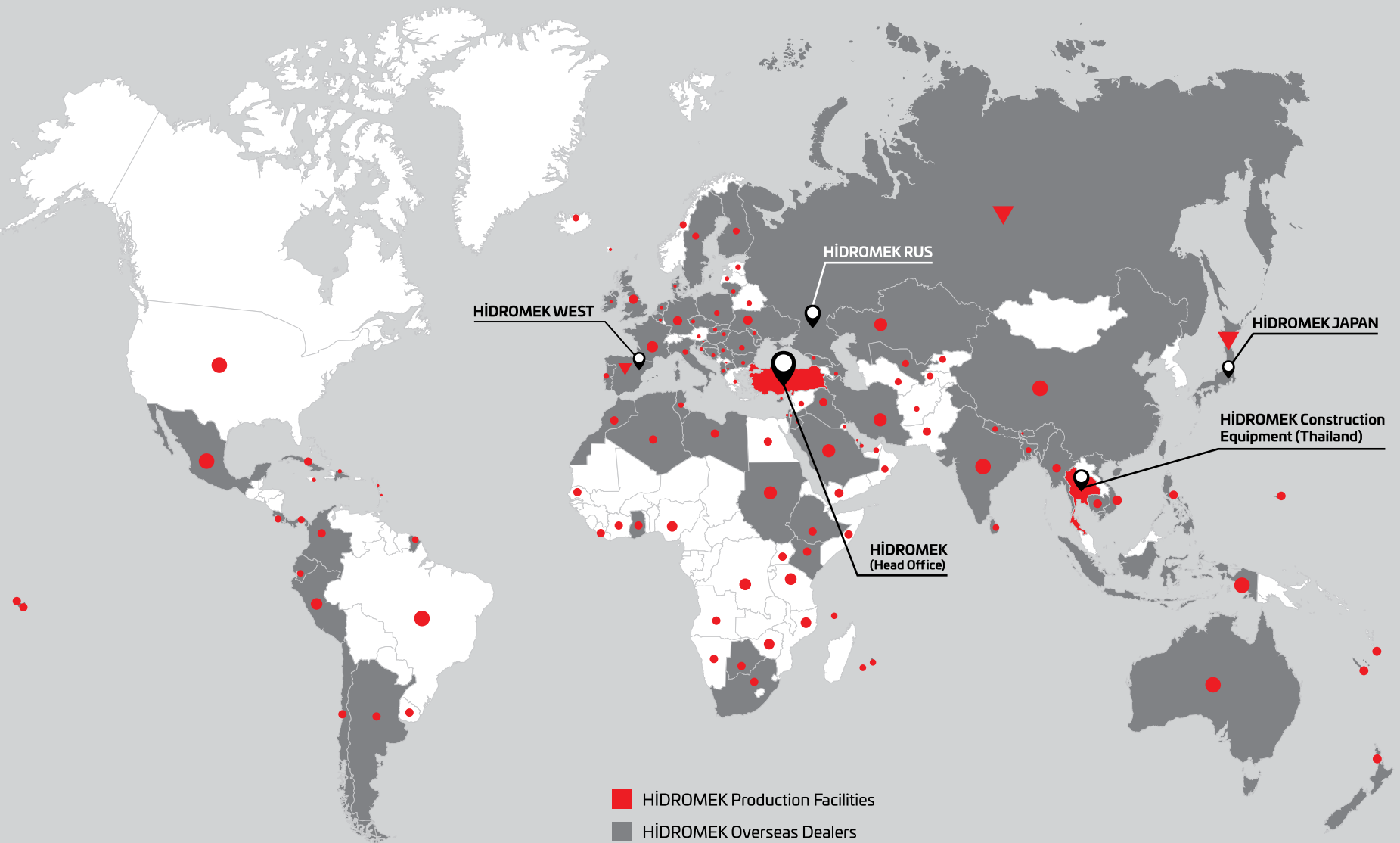
HIDROMEK® HCE

HIDROMEK Construction Equipment (Thailand) Ltd.

Address: Amata City Chonburi Industrial Estate Phase 7,
No. 700/669 Moo 1, T.Phanthong,
A.Phanthong, Chonburi 20160, TAYLAND

Phone : +66 38 447 349

Fax : +66 38 447 355



HİDROMEK WEST

HİDROMEK RUS

HİDROMEK JAPAN

HİDROMEK Construction Equipment (Thailand)

HİDROMEK (Head Office)

- HİDROMEK Production Facilities
- HİDROMEK Overseas Dealers
- ▼ HİDROMEK Overseas Sales and Aftersales Services Points
- Countries HİDROMEK Machines Running


HIDROMEK®

Together Stronger

www.hidromek.com

 [hidromek.tr](https://www.facebook.com/hidromek.tr)

 [Hidromek](https://twitter.com/Hidromek)

 [hidromekofficial](https://www.instagram.com/hidromekofficial)

 [HidromekTv](https://www.youtube.com/HidromekTv)

 [company/hidromek](https://www.linkedin.com/company/hidromek)

ENG - SEPTEMBER 2021 / 200921 - 3A

