



ENGINE

Make	: KUBOTA
Type	: V2403-CR-T-EW03 Diesel Engine
Number of Cylinders	: 4 in line
Bore & Stroke	: 87 x 102,4 mm
Displacement	: 2434 cm ³
Maximum Power	: 65.1 HP (48.6 kW) @2700 rpm
Maximum Torque	: 199 Nm @1600 rpm
Emission Class	: EU: Stage V / US: Tier 4 final

High power and torque output, water cooled turbocharged diesel engine.

STANDARD EQUIPMENTS

- ROPS / FOPS cab
- Air conditioner
- Service point for hydraulic pressure measurement
- Windshield curtain
- Ergonomic Joystick Controls integrate to seat
- Quick Coupler Loader Attachment
- Immobilizer
- Radio and MP3 Player
- Cylinders with Cushion
- Backhoe Attachment Lock
- Breaker Hydraulic Line
- Rotating beacon
- Monolithic Rear Window
- Openable Side Window
- Doom Light
- 12 Volt socket
- Personal Storage Area
- Floor Mat
- Hand Throttle
- LCD Information Display



HYDRAULIC SYSTEM

Main Pump Flow	: 60 L/min @3000 rpm
Pressure	: 250 bar

DRIVE SYSTEM

- Servo controlled Axial Piston Variable Displacement Double Pumps driving Radial Piston, Multi-stroke hydraulic motors enabling forward and reverse motion.
- Service Brake is provided by Hydraulic Driving System
- Spring on, hydraulic pressure off park brake system
- Travel speeds 7,5 mph forward and reverse

CONTROLS

Ergonomic servo controlled joysticks mounted on the seat control driving and front loading operation. Same joysticks also control backhoe operation when the operator seat is turned to backhoe side.

TIRES

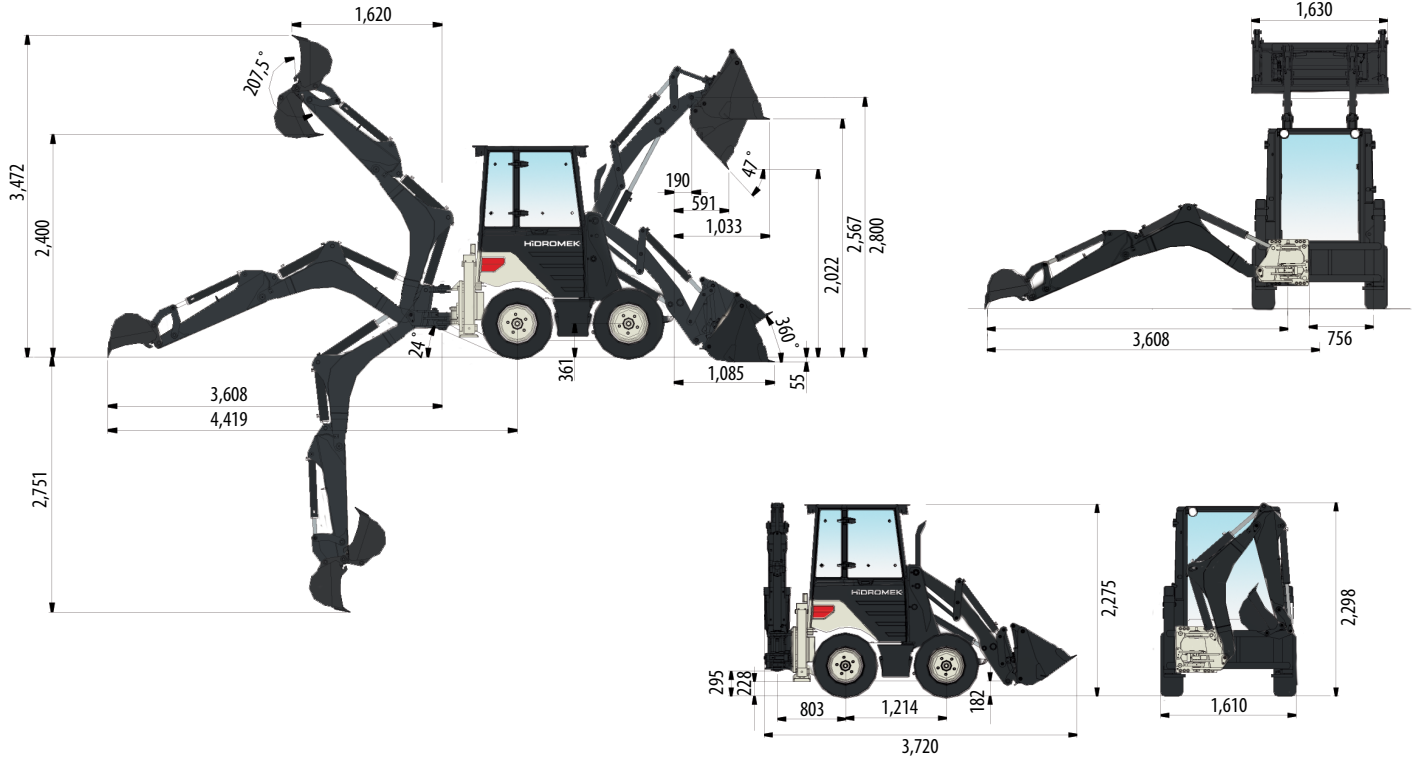
Front	: 10 x 16,5 10 Pr Skz
Rear	: 10 x 16,5 10 Pr Skz

OPERATING WEIGHT

Operating weight (with standard equipment) : 3.875 kg
Operational weight, complying with the ISO 6016 standards, includes full fuel tank, hydraulic system and other liquids, 75 kg operator weight and standard equipped machine weight. Optional equipments are not included.



HMK 62^{SS}



LOADER PERFORMANCE

4 in 1 bucket capacity	0,35 m ³
Max. bucket breakout force	2883 kgf
Max. loading arm breakout force	2600 kgf
Lifting capacity to maximum height	1576 kg

BACKHOE PERFORMANCE

Bucket capacity	0,06 m ³
Max. bucket breakout force	1985 kgf
Max. dipper breakout force	1500 kgf
Lifting capacity to maximum height (rear)	332 kg



Attachments



Hydraulic Breaker



Dozer Blades



Standard Bucket



Forks Mounted on Quick Coupler

HIDROMEK®

FACTORY - HEAD OFFICE

Ahi Evran OSB Mahallesi Osmanlı Caddesi No:1 06935 Sincan / ANKARA / TURKEY
Tel: (+90) 312 267 12 60 Fax: (+90) 312 267 12 39
www.hidromek.com

Notice:
Hidromek has the right to modify the specifications and design of the model indicated on this brochure without prior notice.