



ENGINE

Model	: MITSUBISHI 6D24-T
Type	: Water-cooled 4 cycle, in-line, 6-cylinders, direct-injection, diesel engine, with turbo-charger
No.Of Cylinders	: 6
Displacement	: 11,946 cc
Net Power	: 155 HP - 185 HP (116 kW - 138 kW) @2000 rpm
Max torque	: 925 Nm
Emission Level	: Compatible with USA EPA Tier 1 and European

TRANSMISSION

- Powershift (planetary gear, hydraulically actuated) with 8 speeds for both forward and reverse

DIFFERENTIAL AND FINAL DRIVE

- Double-reduction by spiral bevel and planetary gears with operator controlled hydraulically lock/unlock differential.

FRONT AXLE

Oscillation	: 15° Left or Righth (Total 30°)
Wheel lean	: 20° Left or Righth (Total 40°)
Ground Clearance	: 570 mm

BRAKES

Service Brakes	: Air-actuated, oil cooled disc brakes on four rear wheels
Parking Brake	: Spring-engaged, air disengaged multi disc oil cooled on T/M output shaft

TIRES

- 14,00-24-12 PR (G-2)

HYDRAULIC SYSTEM

Circuit	: Closed-center, load sensing system
Oil pump	: Variable-displacement piston pump
Capacity	: 174 L/min
Relief pressure	: 206 bar
Steering circuit	: 25 cm ³ /rev

BLADE

Type	: In-seat bank type wear - resistant steel, with box - section reinforcement with hydraulic side-shift
Length x Height x Thickness	: 3,710 mm x 610 mm x 19 mm
Max. Blade Lift Above Ground	: 500 mm
Circle turning angle	: 360°
Max. Bank Cutting Angle	: 90°
Cutting angle	: 39° to 85°

PERFORMANCE (Speeds)

Direction	Gear	Speed (km/h)
Forward	1 st	3,5
	2 nd	4,7
	3 rd	7,2
	4 th	9,9
	5 th	14,1
	6 th	19,0
	7 th	28,9
	8 th	39,7
Reverse	1 st	3,3
	2 nd	4,4
	3 rd	6,7
	4 th	9,2
	5 th	13,2
	6 th	17,8
	7 th	27,1
	8 th	37,2
Minimum Turning Radius	: 6,9m	

DIMENSIONS

Overall length	: 9,865 mm (With front weight and rear ripper)
Overall width	: 2,440 mm
Overall height	: 3,480 mm
Wheelbase	: 6,250 mm
Ground Clearance	: 380 mm

WEIGHT

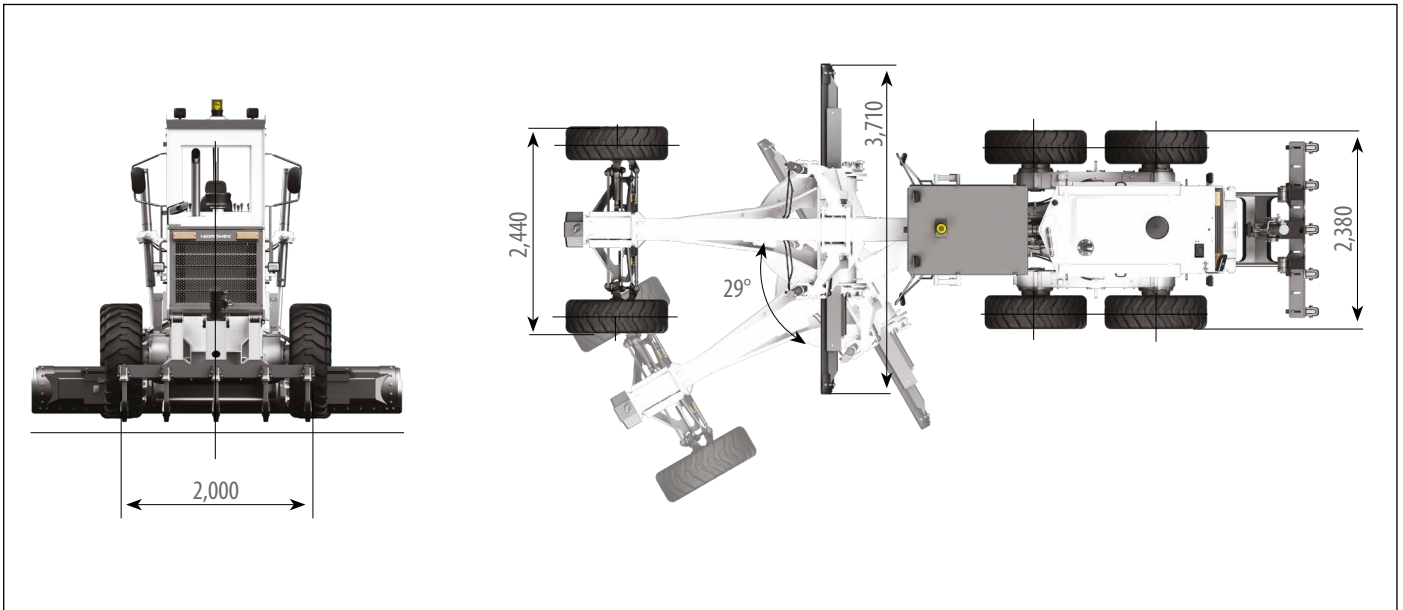
Operating weight	: 17.700 kg
------------------	-------------

Operational weight, complying with the ISO 6016 standards, includes full fuel tank, hydraulic system and other liquids, 75kg operator weight and standard equipped machine weight. Optional equipments are not included.

MG 460

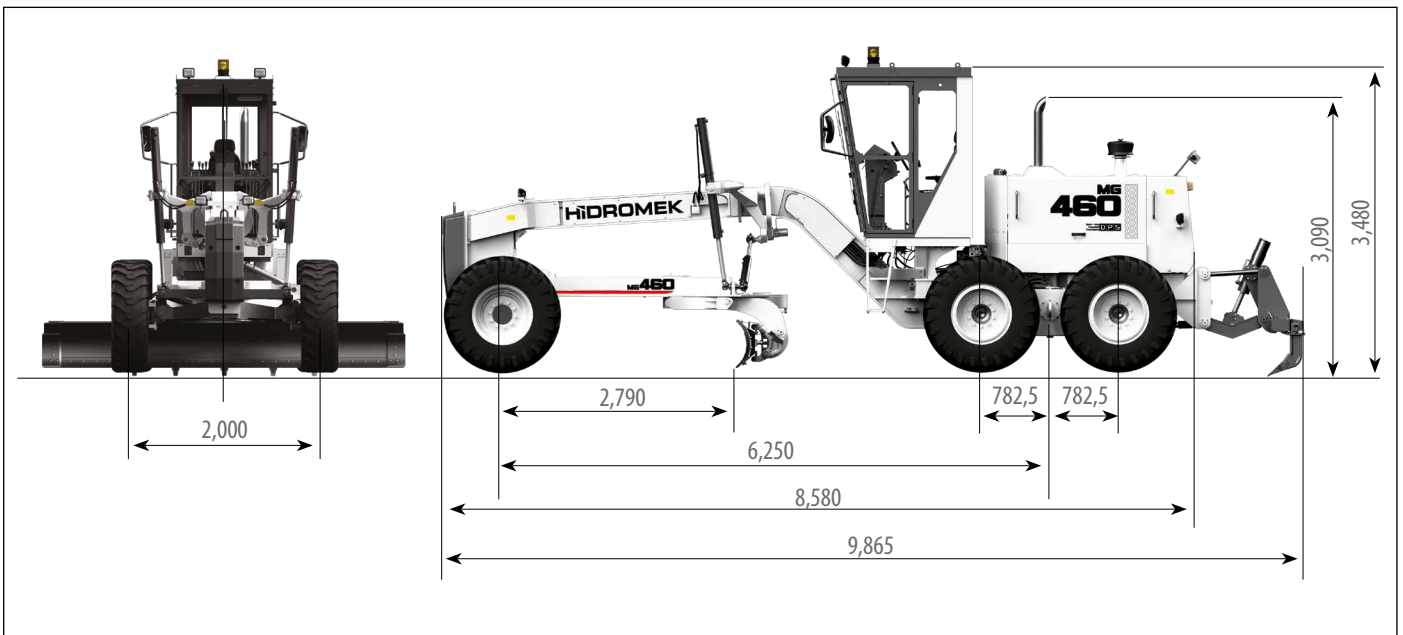
Dimensions (I)

Unit: mm



Dimensions (II)

Unit: mm



HIDROMEK®

HIDROMEK CONSTRUCTION EQUIPMENT (THAILAND) LTD.

Amata Nakorn Industrial Estate Phase 7, 700/699 Moo 1, T. Phanthong,
A. Phanthong, Chonburi 20160 Thailand
Phone: 66 (0) 38-447-349-54 Ext. 20 Fax: 66 (0) 38-447-355

FACTORY - HEAD OFFICE

Ahi Evran OSB Mahallesi Osmanlı Caddesi No:1 06935 Sincan / ANKARA / TURKEY
Phone: (+90) 312 267 12 60 Fax: (+90) 312 267 21 18
www.hidromek.com

Notice:

* HIDROMEK has the right to modify the specifications and design of the model indicated on this brochure without prior notice.
* The equipment shown in the photos in this catalog includes some parts which are optional.