

### ENGINE

Model	: MITSUBISHI 6D16-T
Type	: Water-cooled 4 cycle, in-line, 6-cylinders, direct-injection, diesel engine, with turbo - charger
No.Of Cylinders	: 6
Displacement	: 7,545 cc
Net Power	: 135 HP (101 kW) @2200 rpm
Max torque	: 608 Nm
Emission Level	: Compatible with USA EPA Tier 1 and European

### TRANSMISSION

- Powershift (planetary gear, hydraulically actuated) with 6 speeds for both forward and reverse

### DIFFERENTIAL AND FINAL DRIVE

- Double-reduction by spiral bevel and planetary gears without differential

### ARTICULATION

- 26° Left or Right

### FRONT AXLE

Oscillation	: 15° Left or Right
Wheel lean	: 20° Left or Right
Ground Clearance	: 555 mm

### BRAKES

Service Brakes	: Air-actuated, oil cooled disc brakes on four rear wheels
Parking Brake	: Spring-engaged, air disengaged multiple oil disc break on transmission shaft

### TIRES

- 13.00-24-12 PR (G-2)

### HYDRAULIC SYSTEM

Circuit	: Open - center
Oil pump	: Tandem gear pump
Capacity	: 60 + 60 + 60 L/min @ 2,200 rpm
Relief pressure	: 17.2 MPa

### BLADE

Type	: In-seat bank type wear - resistant steel, with box - section reinforcement with hydraulic side-shift
Length x Height x Thickness	: 3,710 mm x 610 mm x 19 mm
Max. Blade Lift Above Ground	: 460 mm
Circle turning angle	: 360°
Max. Shoulder reach	: Left hand 1,890 mm Right hand 1,900 mm
Max. Bank Cutting Angle	: 90°
Cutting angle	: 36° to 81°

### PERFORMANCE (Speeds)

Forward	1 st	3,6	km/h
	2 nd	6,3	km/h
	3 rd	10,2	km/h
	4 th	15,1	km/h
	5 th	26	km/h
	6 th	42,4	km/h
Reverse	1 st	3,7	km/h
	2 nd	6,4	km/h
	3 rd	10,4	km/h
	4 th	15,4	km/h
	5 th	26,4	km/h
	6 th	43,2	km/h
Minimum Turning Radius	: 6,6 m		

### DIMENSIONS

Overall length	: 7,820 mm
Overall width	: 2,360 mm
Overall height	: 3,465 mm
Wheelbase	: 5,700 mm
Ground Clearance	: 380 mm
Tread	: Front: 1.980 mm : Rear: 2.000 mm
Distance between centers of tandem wheels	: 1,505 mm

### WEIGHT

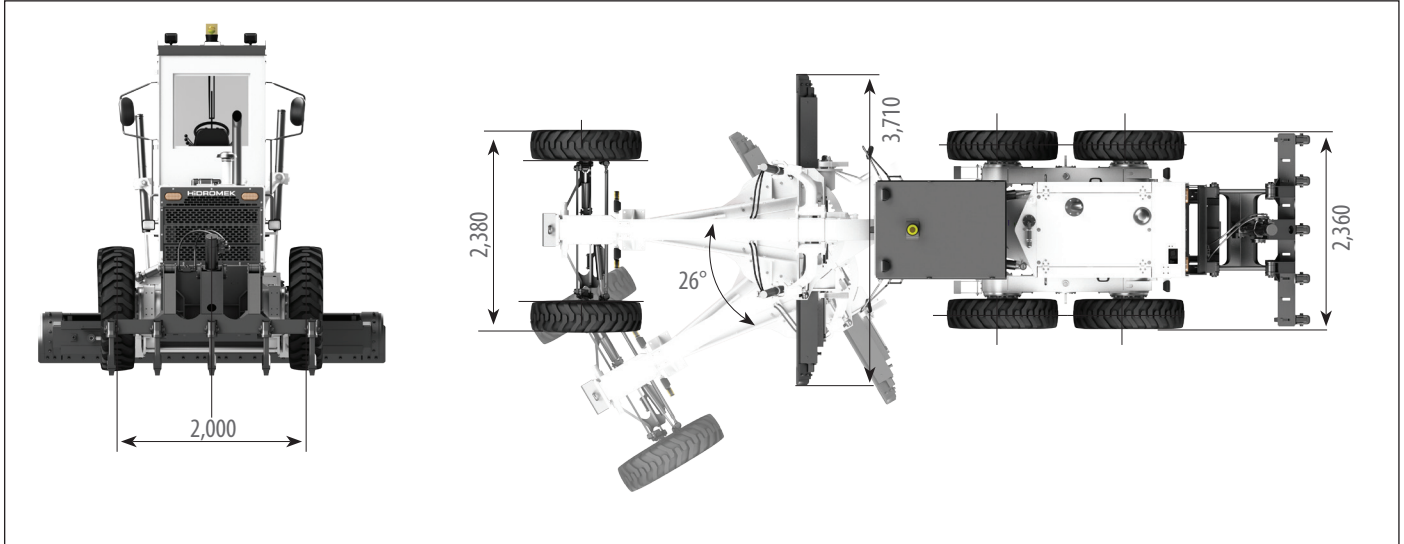
Operating weight	: 13.400 kg
------------------	-------------

Operational weight, complying with the ISO 6016 standards, includes full fuel tank, hydraulic system and other liquids, 75kg operator weight and standard equipped machine weight. Optional equipments are not included.

# MG 330

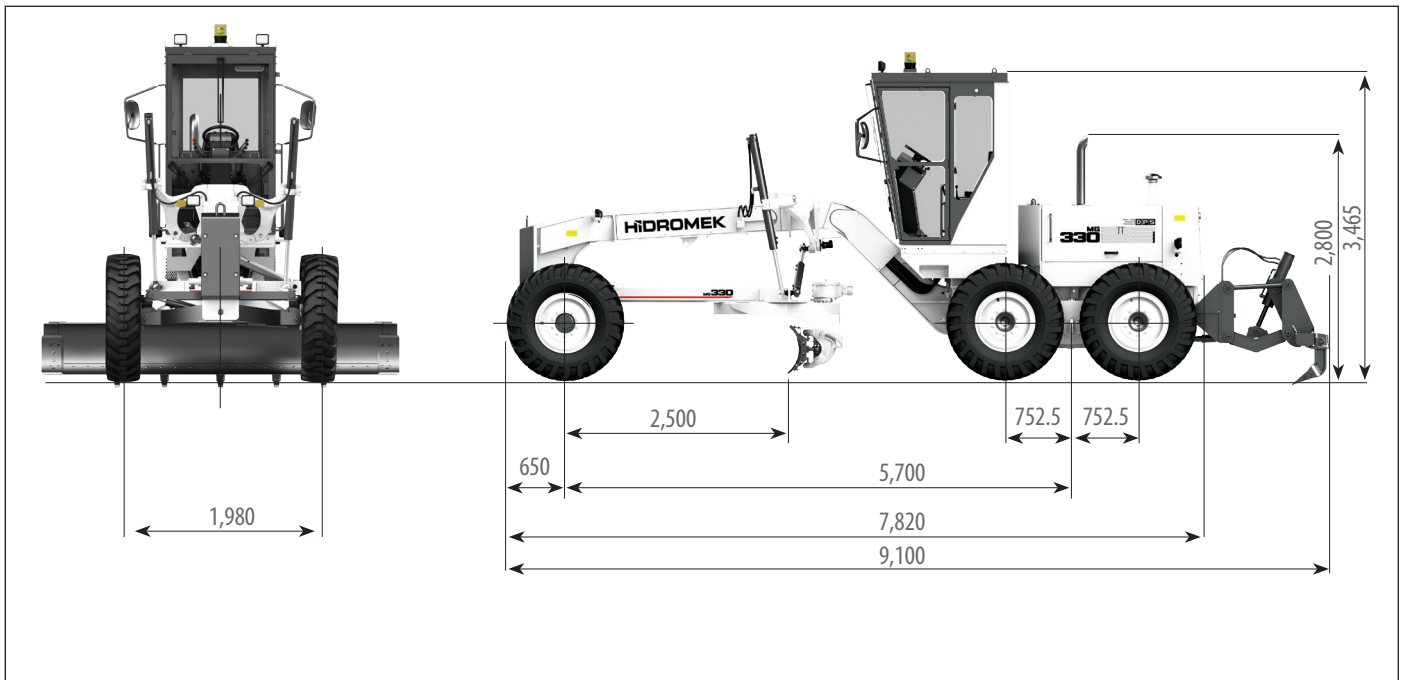
Dimensions (I)

Unit: mm



Dimensions (II)

Unit: mm



ENG - SEPTEMBER 2020

## HIDROMEK

### HIDROMEK CONSTRUCTION EQUIPMENT (THAILAND) LTD.

Amata Nakorn Industrial Estate Phase 7, 700/699 Moo 1, T. Phanthong,  
A. Phanthong, Chonburi 20160 Thailand  
Phone: 66 (0) 38-447-349-54 Ext. 20 Fax: 66 (0) 38-447-355

### FACTORY - HEAD OFFICE

Ahi Evran OSB Mahallesi Osmanlı Caddesi No:1 06935 Sincan / ANKARA / TURKEY  
Phone: (+90) 312 267 12 60 Fax: (+90) 312 267 21 18  
www.hidromek.com

### Notice:

- \* HIDROMEK has the right to modify the specifications and design of the model indicated on this brochure without prior notice.
- \* The equipment shown in the photos in this catalog includes some parts which are optional.