

**HMK 110 CS**  
**HMK 130 CS**



**HIDROMEK**





## HIDROMEK Soil Compactors Effective and Efficient

HIDROMEK soil compactors overcome hard works easily with extreme compaction performance. HMK 110 CS and HMK 130 CS Soil Compactors having maximum usability and high functionality in various applications enable to work efficiently and with high performance in many areas such as public services and road construction works as well as construction sites of industrial, commercial and large residential areas.



Performance.....6-7  
Durability.....8-11  
Safety.....12-13  
Technology.....14-15  
Comfort.....16-17  
Ease of Service.....18-19  
Smartlink .....20-21  
Technical Features.....22-25

The information and images, and equipment presented in this brochure are either standard or optional depending on the configuration. HİDROMEK has the right to modify the specifications and the designs of the model indicated in this brochure without prior notice.







## Superior Compression! Superior Efficiency!

HIDROMEK soil compactors work efficiently and with high performance by providing high level of compaction. In working areas, they make the necessary compaction in accordance with the structure of the soil with minimum number of passes.

Having two working range as high eccentric moment and low eccentric moment, HIDROMEK soil compactors enable to compact different types of material with these features. While high eccentric moment provides effective operation on thick soil layer with high vibration energy, low eccentric moment offers superior surface sealing in the final compaction process allowing thin layers and fine works to be done easily.

HIDROMEK soil compactors having high compaction feature in their class also increase performance in all conditions with their superior climbing ability on slopes.

# Heavy Duty Type Construction

HMK 110 CS and HMK 130 CS, produced with HİDROMEK's solid steel construction experience, offer superior durability owing to their heavy-duty drums and strong chassis. HİDROMEK soil compactors, designed and produced for long life and performance, provide maximum utility in different working areas with their high quality components.







①

Heavy duty drum



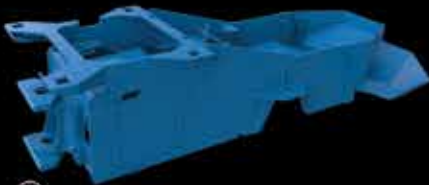
⑤

Lubrication and maintenance free,  
long life bearing



②

Wear resistant padfoot



③

Reinforced rear chassis



④

Reinforced front chassis

## Superior durability

With their reinforced heavy duty construction produced at HIDROMEK's modern production facilities and going through sensitive quality-control processes, HIDROMEK soil compactors have excellent durability.

Soil compactors produced for long life and trouble-free usage offer maximum performance with their wear-resistant and thick sheet drum and long-lasting components.



# Safe working environment

## ROPS & FOPS cabin

- Having the standards of ROPS (Roll Over Protective Structure) & FOPS (Falling Object Protective Structure), HÍDROMEK soil compactors provide maximum safety and durability.

## Wide vision capacity

- Designed with giving special importance to occupational safety, HÍDROMEK soil compactors ensure excellent vision with large windows, front and back work lamps, rear cameras and rear view mirror. In addition, there are also red handles and warning labels providing maximum safety for the operator.

## Audio warning systems

- Automatic starting horn and travel warning system on HÍDROMEK soil compactors make the working environment safer.
- Other safety precautions
- With seat warning sensor, if the operator leaves the seat while the machine is working, the machine stops automatically for the safety of the user and other living creatures around.
- When hydraulic oil temperature increases, the engine gradually decreases its speed besides the visual and audible warnings on the machine.
- For safety reasons, automatic vibration is off when the machine is initially started.
- On slopes, in order to prevent a dangerous situation, first the machine gives a signal, and the vibration stops automatically if the machine goes higher than a certain slope.
- When the user switches the vibration range, the change is made smoothly to prevent any damage in the components.
- When the machine moves in reverse direction, the reverse alarm as well as the rear view camera are automatically activated, providing safe and comfortable working conditions.
- In case of a malfunction, basic driving functions keep working to take the machine to a safe area. (travelling, stop, etc.)





**HIDROMEK**

# Shaped with technology

## Automatic Vibration System

Automatic Vibration System on HIDROMEK soil compactors activate the vibration system when machine is travelling and deactivates it when the machine stops during an operation. Therefore, both comfort and long life usage are provided.

## Saving Mode

HIDROMEK soil compactors with two types of vibration have 4 different travel speed modes and 3 different engine rpms. When the machine only needs to travel, it's offered an intermediate speed of the engine, increasing the fuel saving.

## Auto Idle

The auto idle function on HIDROMEK soil compactors automatically reduces the engine speed when the machine does not need to operate at high rpm, providing fuel saving.

## OPERA, the guide of the field

Equipped with Opera (HIDROMEK Operator Interface), soil compactors make the operator comfortable and relaxed just like in an office environment. Functions that can be controlled by Opera:

- Engine RPM control
- Access to control panel menu
- Functions of lights, windshield wipers and rear view camera
- Music system control





## 8" Touch control panel

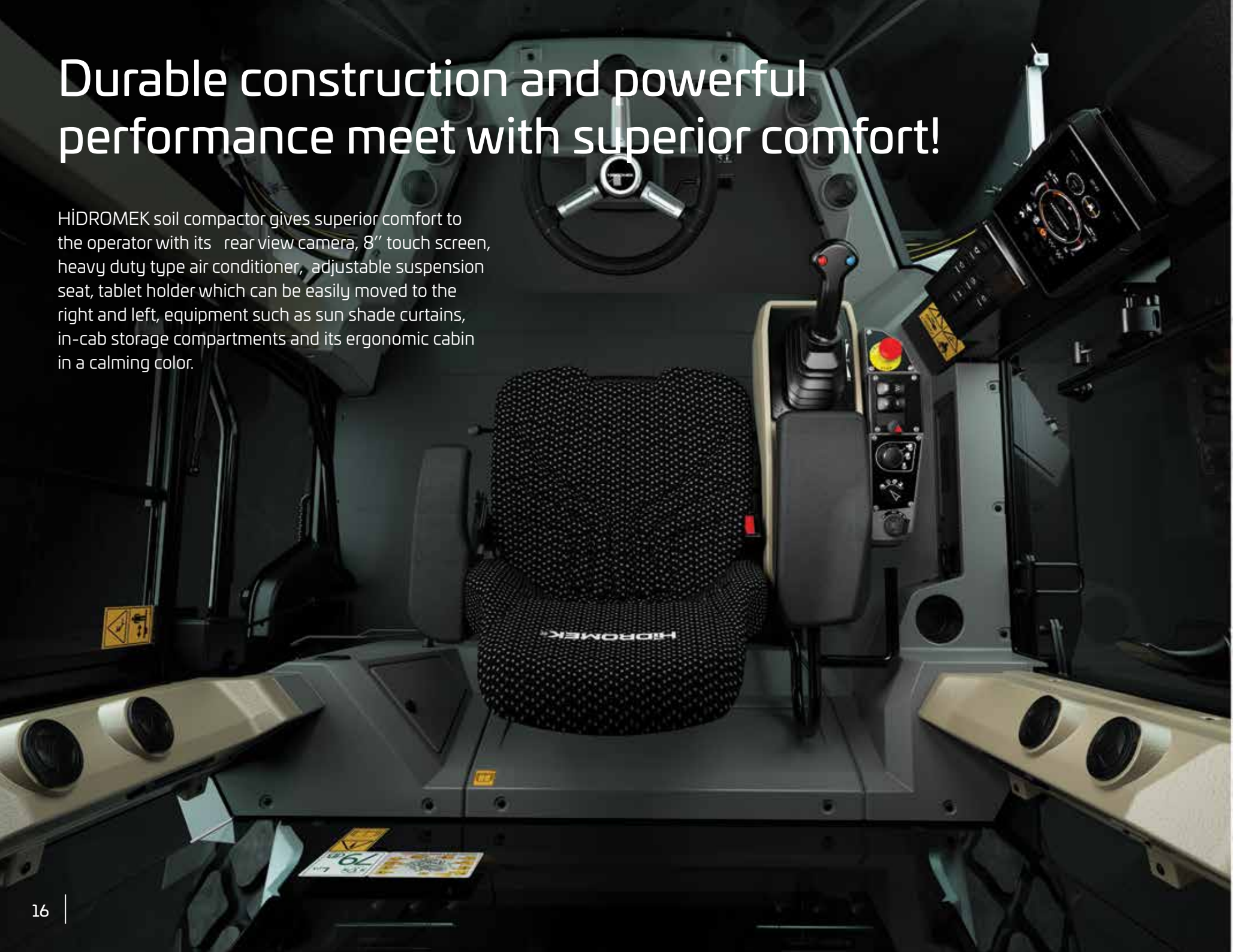
8 inch touch control panel is positioned ergonomically at a place where the operator can easily reach it. Touch control panel having high quality hardware and a large screen easily enables to control the machine features and access to machine information.

### 8" Touch control panel features

- It offers multi-language option.
- Music system is integrated into 8 "touch control panel.
- During travel, rear view camera with improved image quality which is activated automatically can be controlled.
- Information on the average and instant fuel consumption can be obtained.
- Information on status such as atmospheric pressure and fuel pressure can be obtained.
- User can acquire working hour information such as ignition switch activation time, low-high vibration operating time and traveling modes.
- Maintenance registries can be obtained, and the user is warned when the maintenance time approaches.
- Warnings, diagnostic trouble codes and registries can be obtained.
- Audio warning systems can be controlled.

# Durable construction and powerful performance meet with superior comfort!

HIDROMEK soil compactor gives superior comfort to the operator with its rear view camera, 8" touch screen, heavy duty type air conditioner, adjustable suspension seat, tablet holder which can be easily moved to the right and left, equipment such as sun shade curtains, in-cab storage compartments and its ergonomic cabin in a calming color.





# Office comfort in construction equipment

## Automatic air conditioning system & Ice box

Air vents and air conditioning system automatically adjusting itself according to the ambient temperature provide high cooling performance. The icebox allows the operator to keep the food and bevarages in a healthy way.

## Work lights for night vision

Work lights improving the night vision, signal and stop lamps enable the operator to work more safely and comfortably.

## Rear View Camera

HIDROMEK soil compactor offers the operator a safe and comfortable environment with its rear view camera.

## Dampers

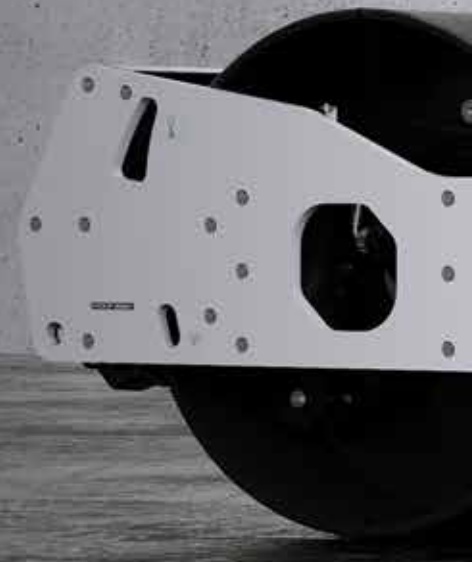
By using 4 dampers on HIDROMEK soil compactors, noise, shock and vibration are absorbed and prevented from being transmitted to the cabin under any working condition. The noise from the surrounding and the engine is kept at a minimum level below the standard values.



## Easy maintenance and fast service through safe and easy access

HIDROMEK soil compactors designed as monobloc considering fast access to hydraulic and engine equipment provide easy and safe access to the maintenance and service points through its electric hood.

Daily maintenance can be done in a very short time, service times are shortened and the machine's uptime is increased for HMK 110 CS and HMK 130 CS since many activities such as filters and fluid levels can easily be controlled on the ground level.





# You have the control with HİDROMEK **SmartLink**

Telematic system HİDROMEK Smartlink allows the user to easily access to machine location and technical information via computer and mobile phone.

## **Follow the work time and location of your machine through HİDROMEK Smartlink!**

Through GPS tracking system, it is possible to track the location and the work time intervals of the machine.

## **Analyze your fuel consumption through HİDROMEK Smartlink!**

It is possible to analyze fuel consumption according to the working conditions of the machine and daily fuel parameters.

## **Check the works for which your machine has been used through HİDROMEK Smartlink!**

Through working mode information, it is possible to see the daily and total working hours of the machine for excavation and leveling and with crusher or with other optional attachments besides the power mode information and the speed ranges.

## **Follow your machine's maintenance through HİDROMEK Smartlink!**

Under the Alerts list, the machine's upcoming maintenance can be checked while the information of the nearest authorized service can be obtained, and it can be contacted.

## **Contact the nearest authorized service or regional service through HİDROMEK Smartlink!**

With the application, it is possible to obtain the information on Regional and Authorized Services of HİDROMEK After Sales Services as well as the directions to them.

## **Have performance reports for the selected periods of time for your machines through HİDROMEK Smartlink!**

For any selected periods of time, it is possible to have a report on daily fuel consumption, average fuel consumption, power and working modes, daily work time intervals and locations.



## ENGINE

Make Model	DEUTZ
Type	TCD 2012 L04 2V Diesel Engine
Maximum Power	138 HP (103 kW) @2400 rpm
Maximum Torque	520 Nm @1600 rpm
Displacement	4.038 cm <sup>3</sup>
Bore & Stroke	101 mm x 126 mm
Number of Cylinders	4 in line
Emission Class	Stage III-A / Tier 3 (EU/EPA)

High power and torque output, water cooled, turbocharged diesel engine.

## STEERING SYSTEM

Oscillation angle	± 12°
Articulation angle	± 35°

## TIRES

23.1-26 12 PR

## VIBRATION

Vibration frequency, for high amplitude/for low amplitude	27,5/30 Hz
Amplitude, high/low	1,9 / 0,9 mm
Centrifugal force, for high amplitude/for low amplitude	206 / 114 kN

## DRIVING SPEED

Maximum slope with vibration / without vibration % 52 / % 55

1 <sup>st</sup> gear	5	km/h
2 <sup>nd</sup> gear	6	km/h
3 <sup>rd</sup> gear	7	km/h
4 <sup>th</sup> gear	12	km/h

## ELECTRICAL SYSTEM

Voltage	24 V
Battery	2 x 12 V 105 Ah
Alternator	28V/80 A
Starting Motor	24V/4 kW

## CAPACITY

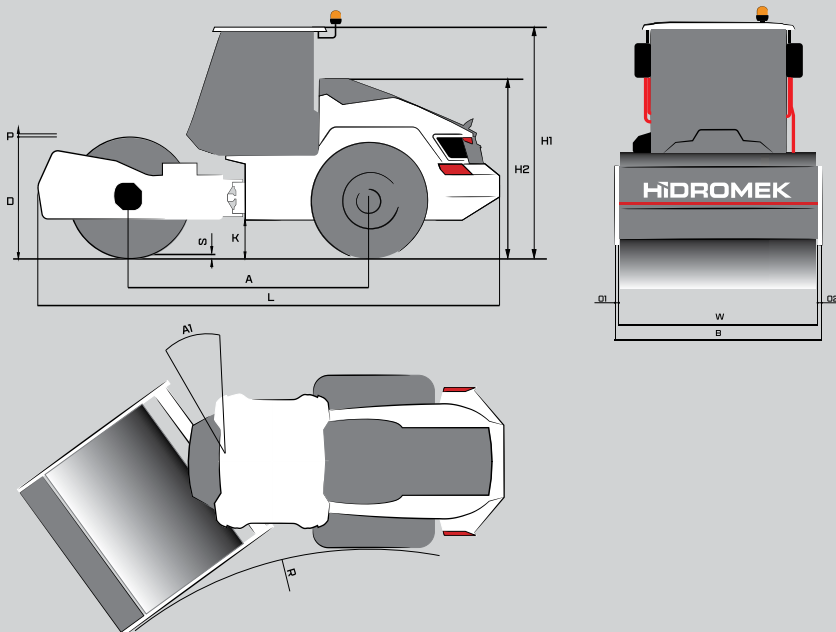
Fuel tank	350 L
Hydraulic tank	105 L

## WEIGHT

Operating weight, CECE, ROPS Cabin	11.150 kg
Drum (front axle load)	6.300 kg
Wheels (rear axle load)	4.850 kg
Static Linear Load	29,6 kg/cm

**DIMENSIONS**

A	Wheelbase	3.065 mm
L	Length (standard equipment), Maximun	5.850 mm
H1	Height (with ROPS cabin), Maximun	2.970 mm
H2	Height without cabin (expedition)	2.280 mm
D	Diameter, drum	1.500 mm
S	Shell thickness, drum	25 mm
W	Width, drum	2.130 mm
P	Height, pads (option)	100 mm
K	Ground clearance, tractor frame	470 mm
B	Width (standard equipped), Maximun	2.280 mm
A1	Turning angle	± 35°
O1	Lateral overhang, right	70 mm
O2	Lateral overhang, left	80 mm
R	Turning radius, inside	3.715 mm



Equipment	Standard	Optional
Smooth drum	●	
Double front and rear steel scraper	●	
HVAC	●	
FOPS level-2 and ROPS cabin	●	
Automatic vibration	●	
Tactile 8" color display (with cabin)	●	
Audio center with mp3/Usb/aux	●	
Speed indication in display	●	
Service interval check in Display	●	
Tablet PC and phone holder	●	
Glass holder	●	
LED interior light	●	
Sun-visors	●	
12 V auxiliary socket	●	
Swivel and sliding seat	●	
Seat warning sensor	●	
Seat with safety belt	●	
Storage pockets	●	
Working lights (halogen)	●	
Rotary beacon (halogen)	●	
Tilt and Adjustable steering column	●	
Storage boxes for operator	●	
Pool type mat	●	
Monoblock Engine hood with electric actuator	●	
4 travelling	●	
Limited-slip axle	●	
2 vibration ranges	●	
Reverse alarm & 2 warning horns	●	
Easy accessible Hyd. test ports	●	
Tools kit	●	
One key system	●	
Plastic Scrapers		○
Rear camera		○
Inclinometer		○
Compactimeter		○
Smartlink		○
Circulation lighting (Rear)		○
Padfoot		○

● STANDARD ○ OPTIONAL

## ENGINE

Make Model	DEUTZ
Type	TCD 2012 L04 2V Diesel Engine
Maximum Power	138 HP (103 kW) @2400 rpm
Maximum Torque	520 Nm @1600 rpm
Displacement	4.038 cm <sup>3</sup>
Bore & Stroke	101 mm x 126 mm
Number of Cylinders	4 in line
Emission Class	Stage III-A / Tier 3 (EU/EPA)

High power and torque output, water cooled, turbocharged diesel engine.

## STEERING SYSTEM

Oscillation angle	± 12°
Articulation angle	± 35°

## TIRES

23.1-26 12 PR

## VIBRATION

Vibration frequency, for high amplitude/for low amplitude	27,5/30 Hz
Amplitude, high/low	2,01/0,81 mm
Centrifugal force, for high amplitude/for low amplitude	252/120 kN

## DRIVING SPEED

Maximum slope with vibration / without vibration % 46 / % 49

1 <sup>st</sup> gear	5	km/h
2 <sup>nd</sup> gear	6	km/h
3 <sup>rd</sup> gear	7	km/h
4 <sup>th</sup> gear	12	km/h

## ELECTRICAL SYSTEM

Voltage	24 V
Battery	2 x 12 V 105 Ah
Alternator	28V/80 A
Starting Motor	24V/4 kW

## CAPACITY

Fuel tank	350 L
Hydraulic tank	105 L

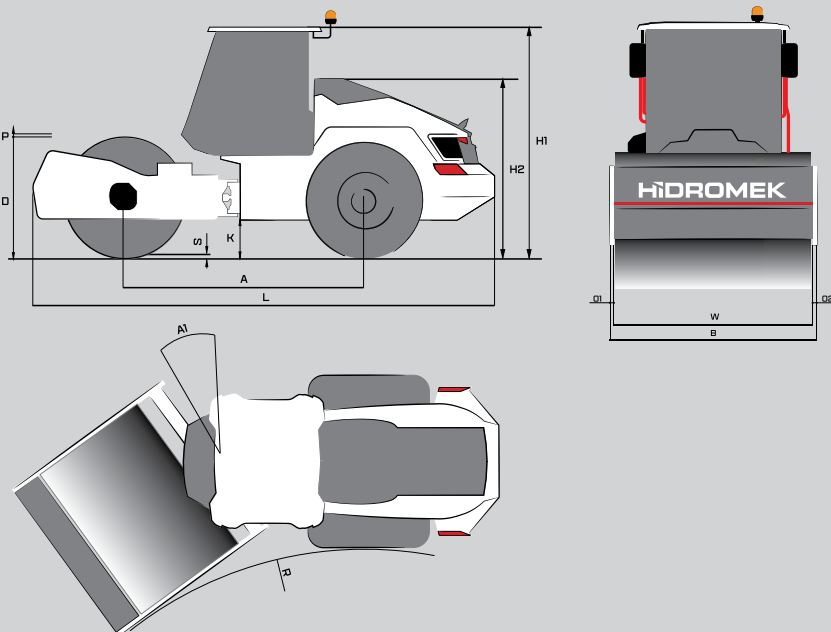
## WEIGHT

Operating weight, CECE, ROPS Cabin	13.250 kg
Drum (front axle load)	8.150 kg
Wheels (rear axle load)	5.100 kg
Static Linear Load	38.3 kg/cm



**DIMENSIONS**

A	Wheelbase	3.065 mm
L	Length (standard equipment), Maximun	5.855 mm
H1	Height (with ROPS cabin), Maximun	2.970 mm
H2	Height without cabin (expedition)	2.280 mm
D	Diameter, drum	1.500 mm
S	Shell thickness, drum	30 mm
W	Width, drum	2.130 mm
P	Height, pads (option)	100 mm
K	Ground clearance, tractor frame	470 mm
B	Width (standard equipped), Maximun	2.280 mm
A1	Turning angle	± 35°
O1	Lateral overhang, right	70 mm
O2	Lateral overhang, left	80 mm
R	Turning radius, inside	3.715 mm



Equipment	Standard	Optional
Smooth drum	●	
Double front and rear steel scraper	●	
HVAC	●	
FOPS level-2 and ROPS cabin	●	
Automatic vibration	●	
Tactile 8" color display (with cabin)	●	
Audio center with mp3/Usb/aux	●	
Speed indication in display	●	
Service interval check in Display	●	
Tablet PC and phone holder	●	
Glass holder	●	
LED interior light	●	
Sun-visors	●	
12 V auxiliary socket	●	
Swivel and sliding seat	●	
Seat warning sensor	●	
Seat with safety belt	●	
Storage pockets	●	
Working lights (halogen)	●	
Rotary beacon (halogen)	●	
Tilt and Adjustable steering column	●	
Storage boxes for operator	●	
Pool type mat	●	
Monoblock Engine hood with electric actuator	●	
4 travelling	●	
Limited-slip axle	●	
2 vibration ranges	●	
Reverse alarm & 2 warning horns	●	
Easy accessible Hyd. test ports	●	
Tools kit	●	
One key system	●	
Plastic Scrapers		○
Rear camera		○
Inclinometer		○
Compactimeter		○
Smartlink		○
Circulation lighting (Rear)		○
Padfoot kit		○

● STANDARD ○ OPTIONAL

# HIDROMEK®

## HEAD OFFICE

**Address:** Ahi Evran OSB Mahallesi,  
Osmanlı Caddesi, No:1, 06935  
Sincan-ANKARA/TURKEY

**Phone** : +90 312 267 12 60

**Fax** : +90 312 267 12 39

**E-mail:** export@hidromek.com.tr

## AFTER SALES SERVICE

**Address:** İstanbul Yolu 17. Km,  
Şehit Osman Avcı Mahallesi,  
No: 479, Etimesgut-ANKARA/TURKEY

**Phone** : +90 312 280 87 40

**Fax** : +90 312 280 87 48

## HIDROMEK® WEST

### HIDROMEK MAQUINARIA DE CONSTRUCCION ESPAÑA S.L.

**Address:** Avenida Del Progres 7 08840 –  
Viladecans Barcelona/ SPAIN

**Phone** : +34 93 638 84 65

**E-mail** : info@hidromek.es

## HIDROMEK® JAPAN

**Address:** 5-10, Hashimoto 6-chome,  
Midori-Ku, Sagamihara,  
Kanagawa, 252-0143 JAPAN

**Phone** : +81 42 703 0261

**Fax** : +81 42 703 0262

## HIDROMEK® RUS

**Address:** 72, Zhivopisnaya str., Building A,  
village Oktyabrskiy,  
Krasnodar, 350032, RUSSIA

**Phone** : +7 861 290 3007

**E-mail** : info@hidromek.ru

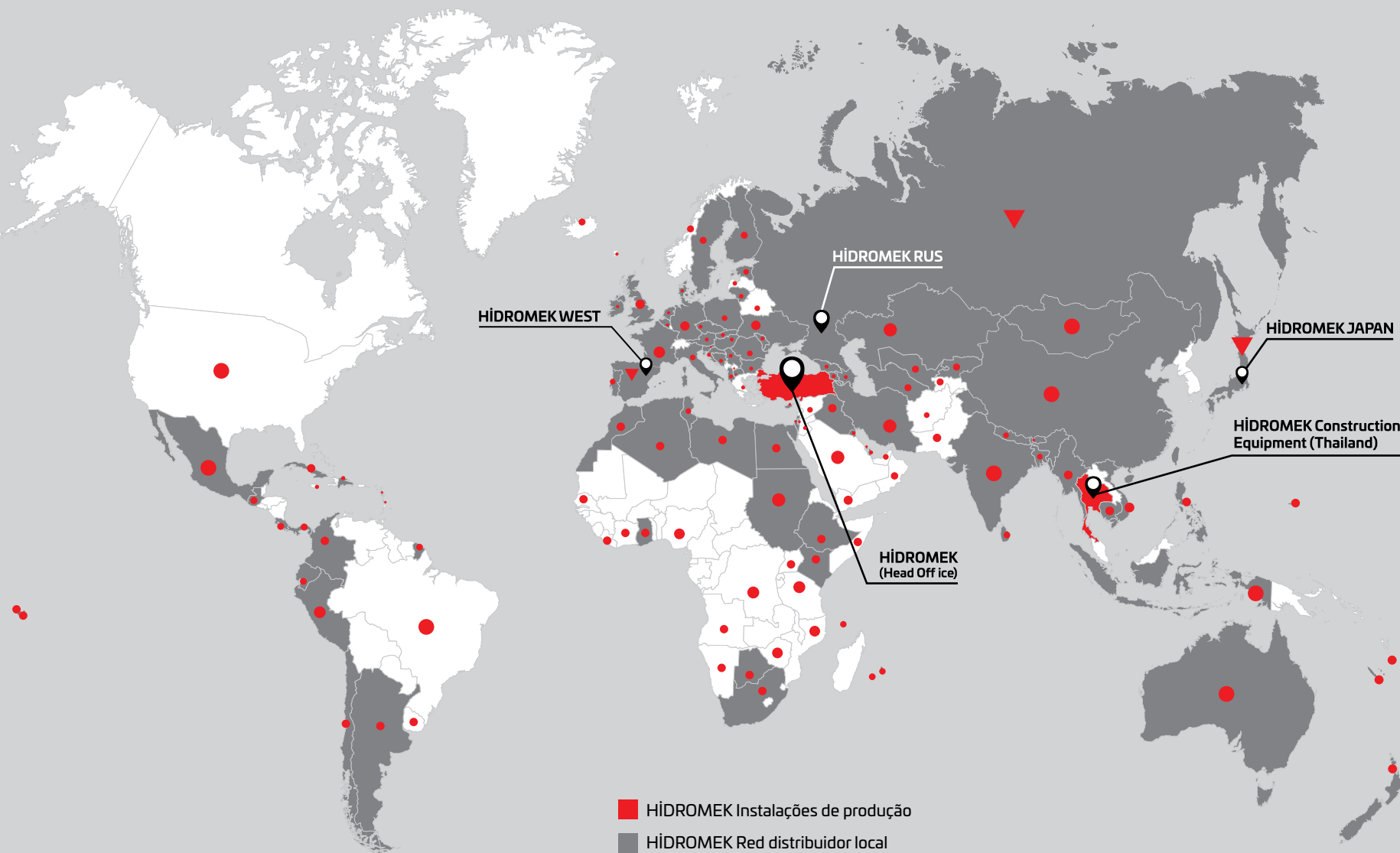
## HIDROMEK® HCE

### HIDROMEK Construction Equipment (Thailand) Ltd.

**Address:** Amata City Chonburi Industrial Estate Phase 7,  
No. 700/669 Moo 1, T.Phanthong,  
A.Phanthong, Chonburi 20160, TAYLAND

**Phone** : +66 38 447 349

**Fax** : +66 38 447 355



- HÍDROMEK Instalações de produção
- HÍDROMEK Red distribuidor local
- ▼ HÍDROMEK Puntos internacionales de vendas y posvenda
- Países com HÍDROMEK maquinas funcionando o trabalhando

# HIDROMEK®

Together Stronger

[www.hidromek.com](http://www.hidromek.com)

[f hidromek.tr](https://www.facebook.com/hidromek.tr) [t Hidromek](https://twitter.com/Hidromek) [i hidromekofficial](https://www.instagram.com/hidromekofficial) [y HidromekTv](https://www.youtube.com/HidromekTv) [in company/hidromek](https://www.linkedin.com/company/hidromek)

